
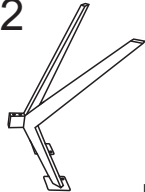



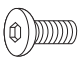


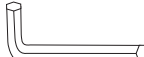
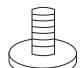
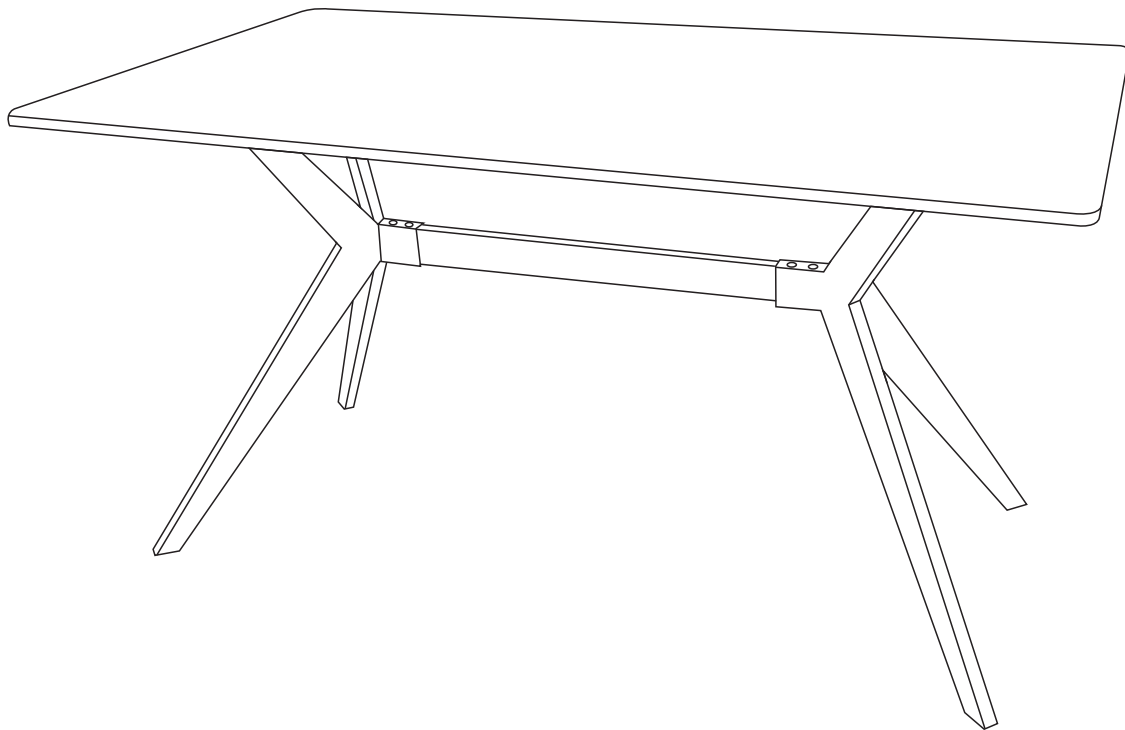


ASSEMBLY INSTRUCTION

390-000016

Ax1  Top	Bx2  Leg	Cx1  Cross-bar	Dx2  Cross-bar	Ex6 8*25  Screw
Fx12 8*16  Screw	Gx6 8*16  Gasket	Hx12 8*22  Gasket	Ix1  Wrench	Jx4  Foot

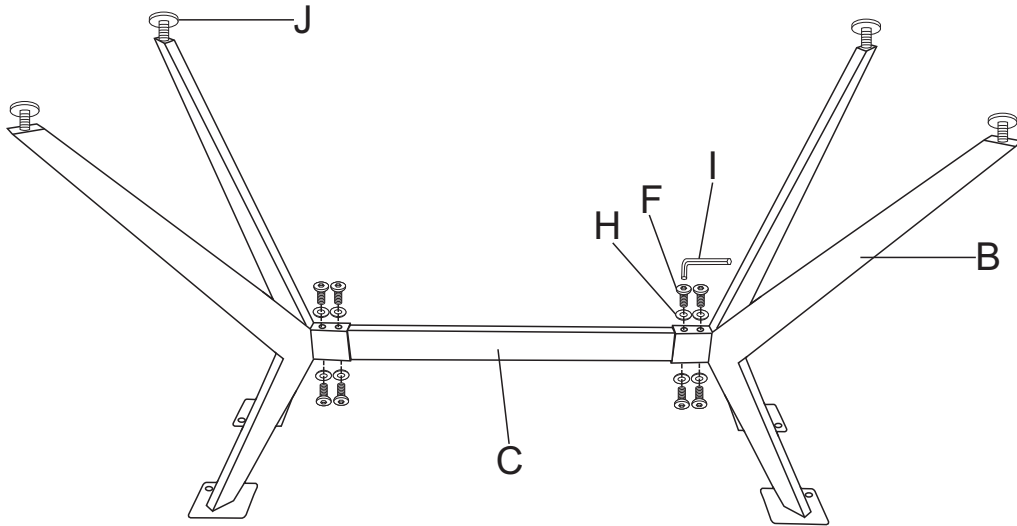


STEP 1:

To fix legs B and cross-bar C firstly

To fix gasket H and screws F with wrench I

To fix foot J

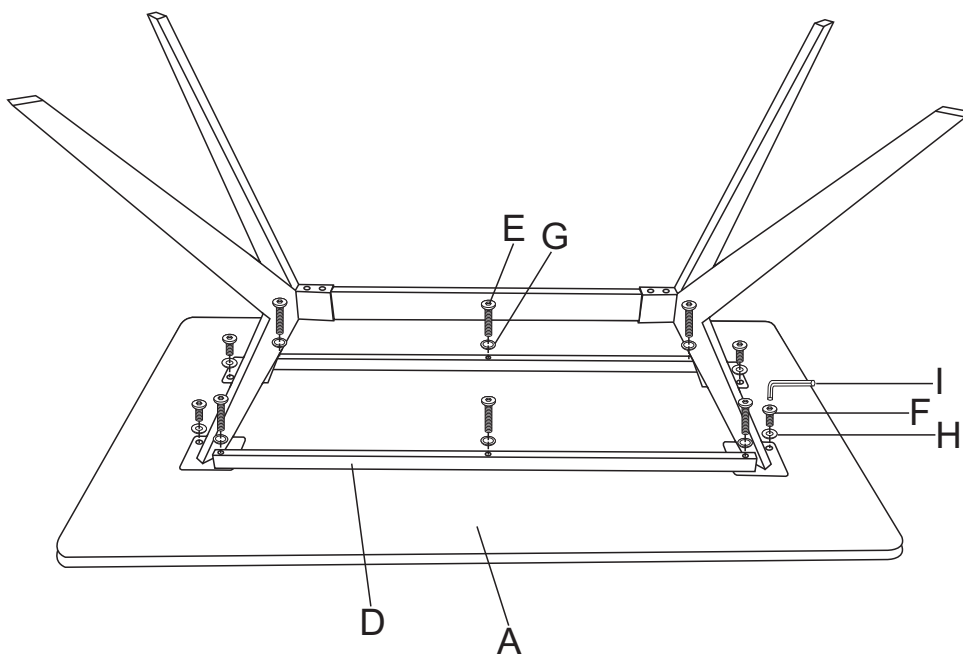


STEP 2:

To put legs and cross-bar D on top A

To fix gasket G and screws E with wrench I

To fix gasket H and screws F with wrench I



FINISH