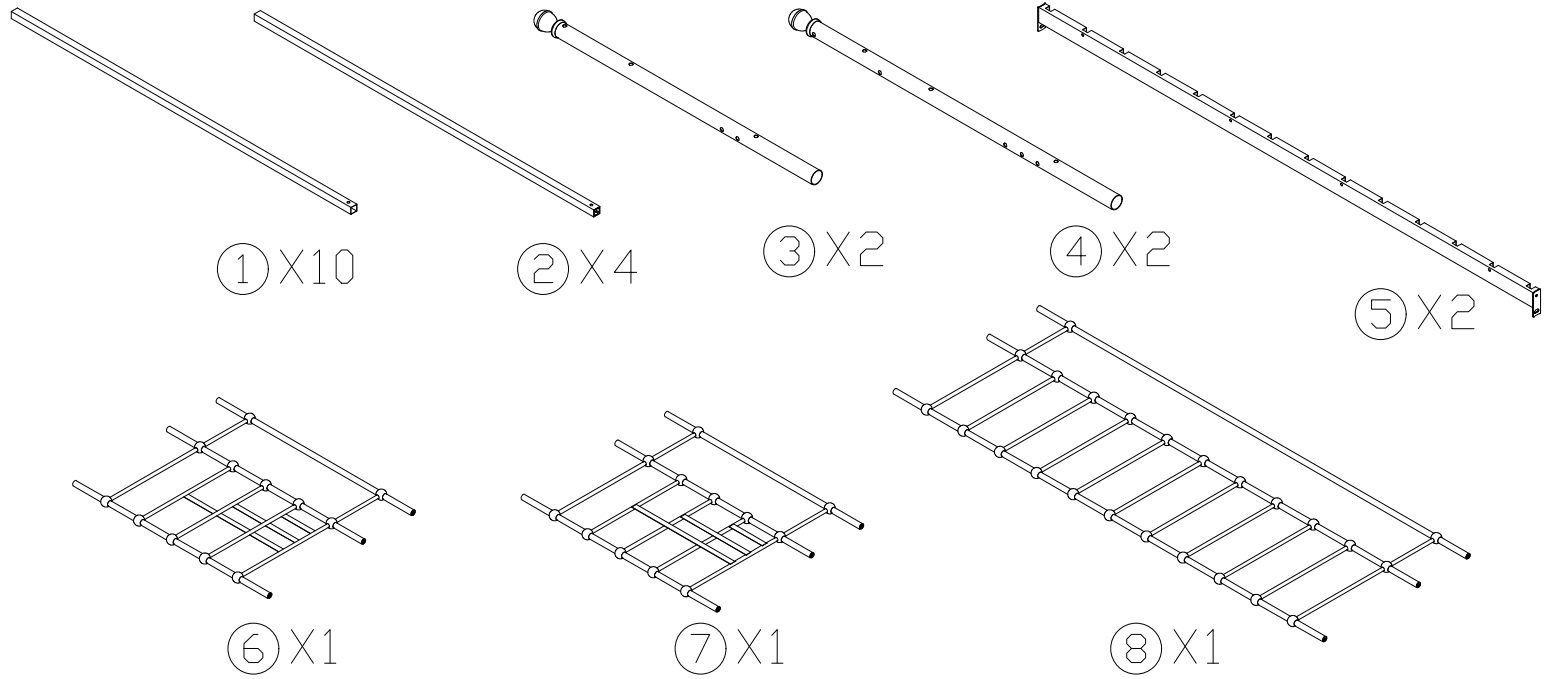
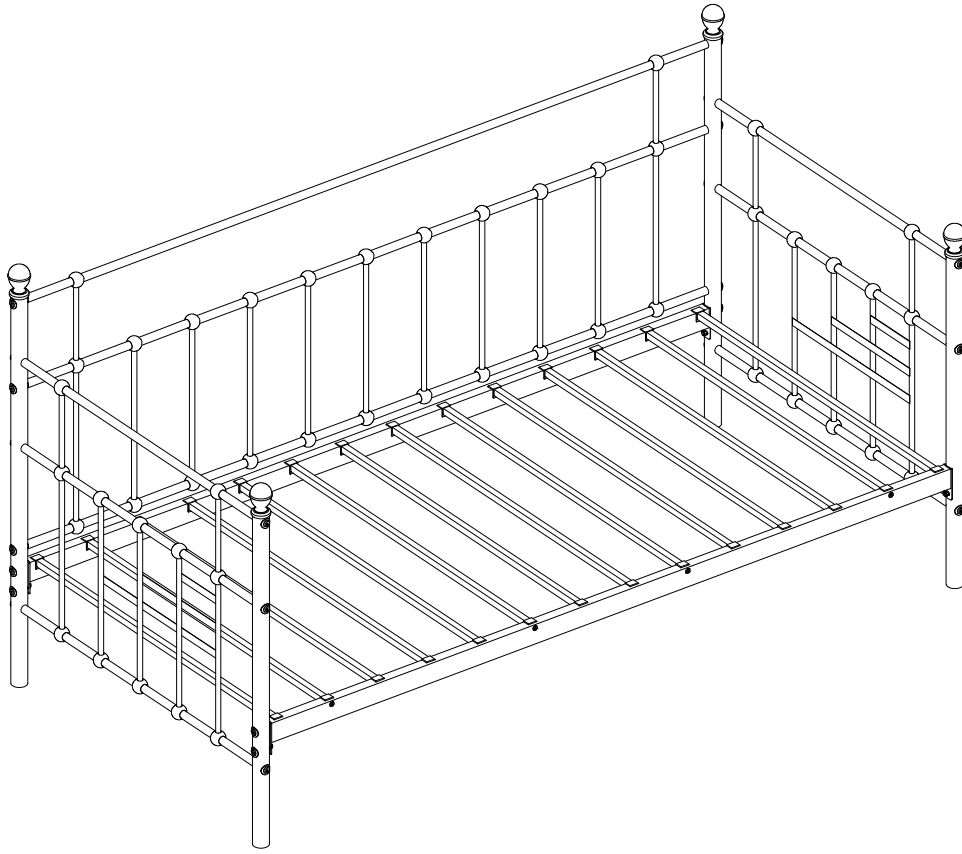



386-000015



M8*60mm
Ⓐ X26



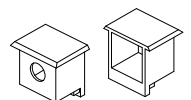
∅24*∅9mm
Ⓑ X26



M8*5mm
Ⓒ X4



M6*30mm
Ⓓ X8



Ⓔ X28



#5
Ⓕ X1

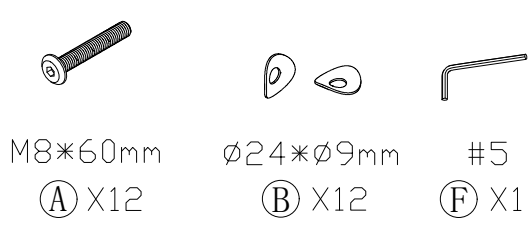
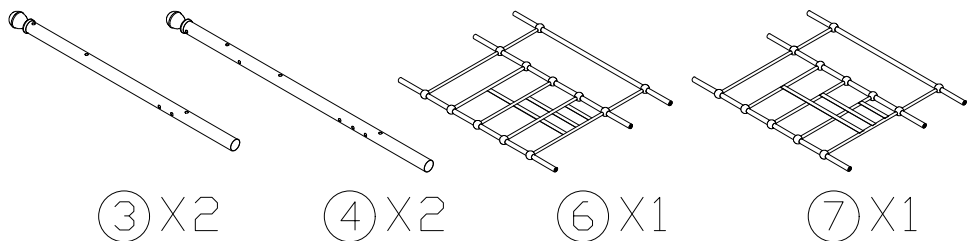
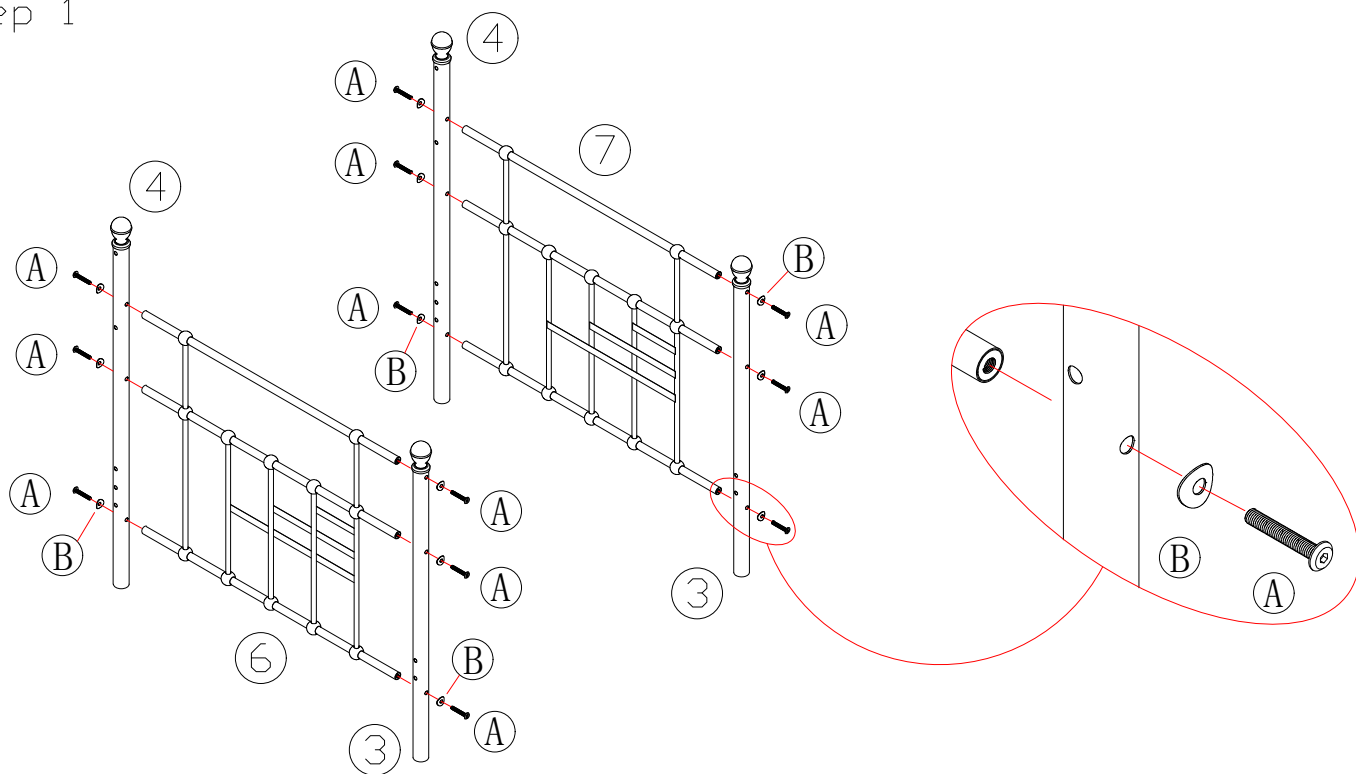


#4
Ⓖ X1

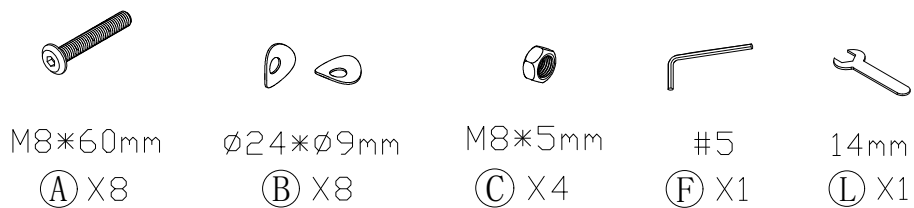
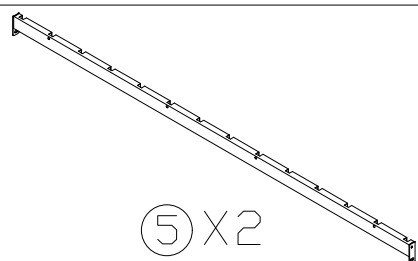
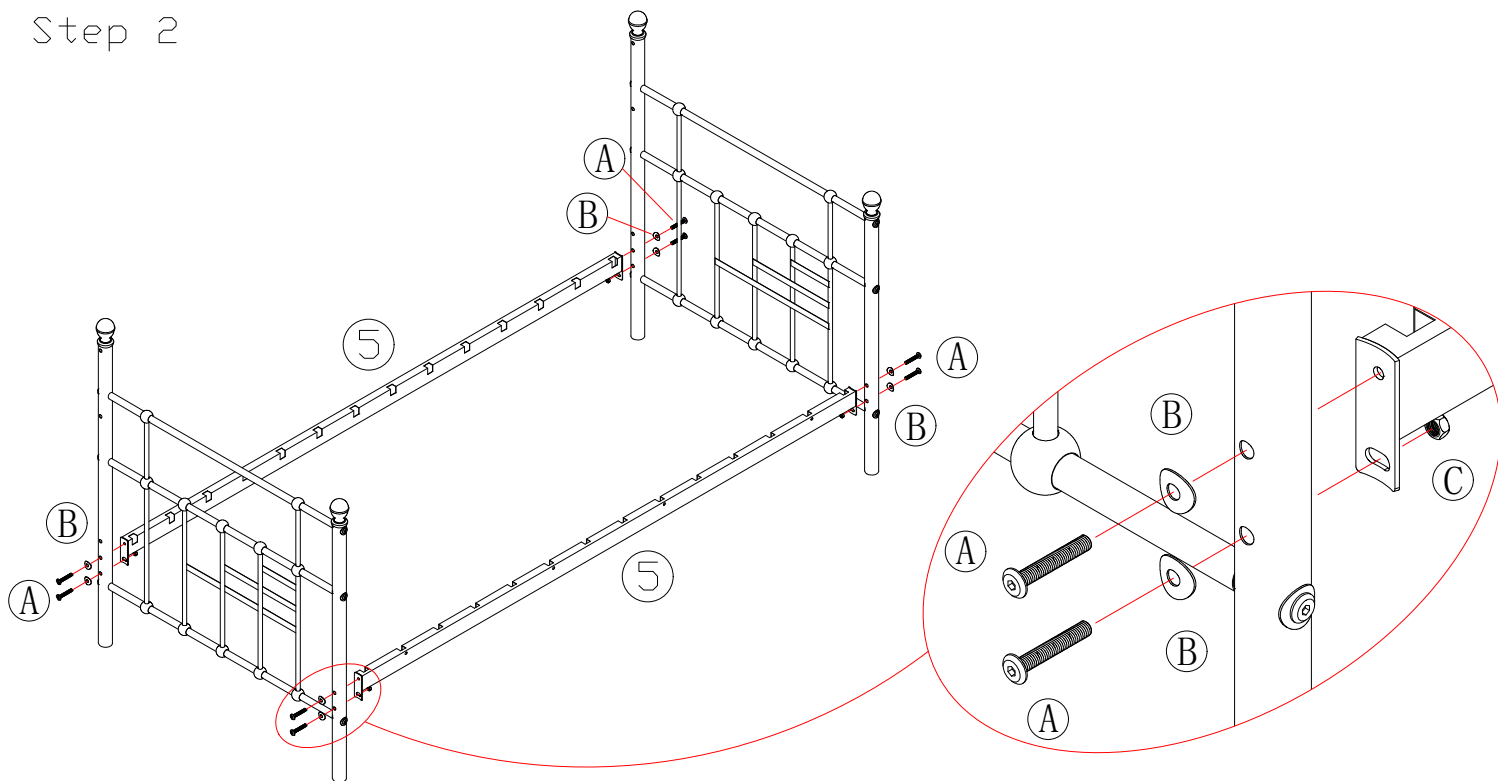


14mm
Ⓖ X1

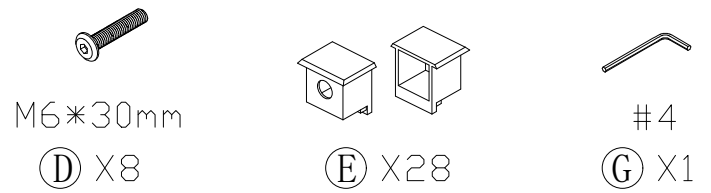
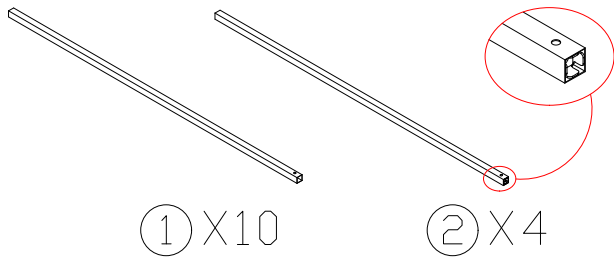
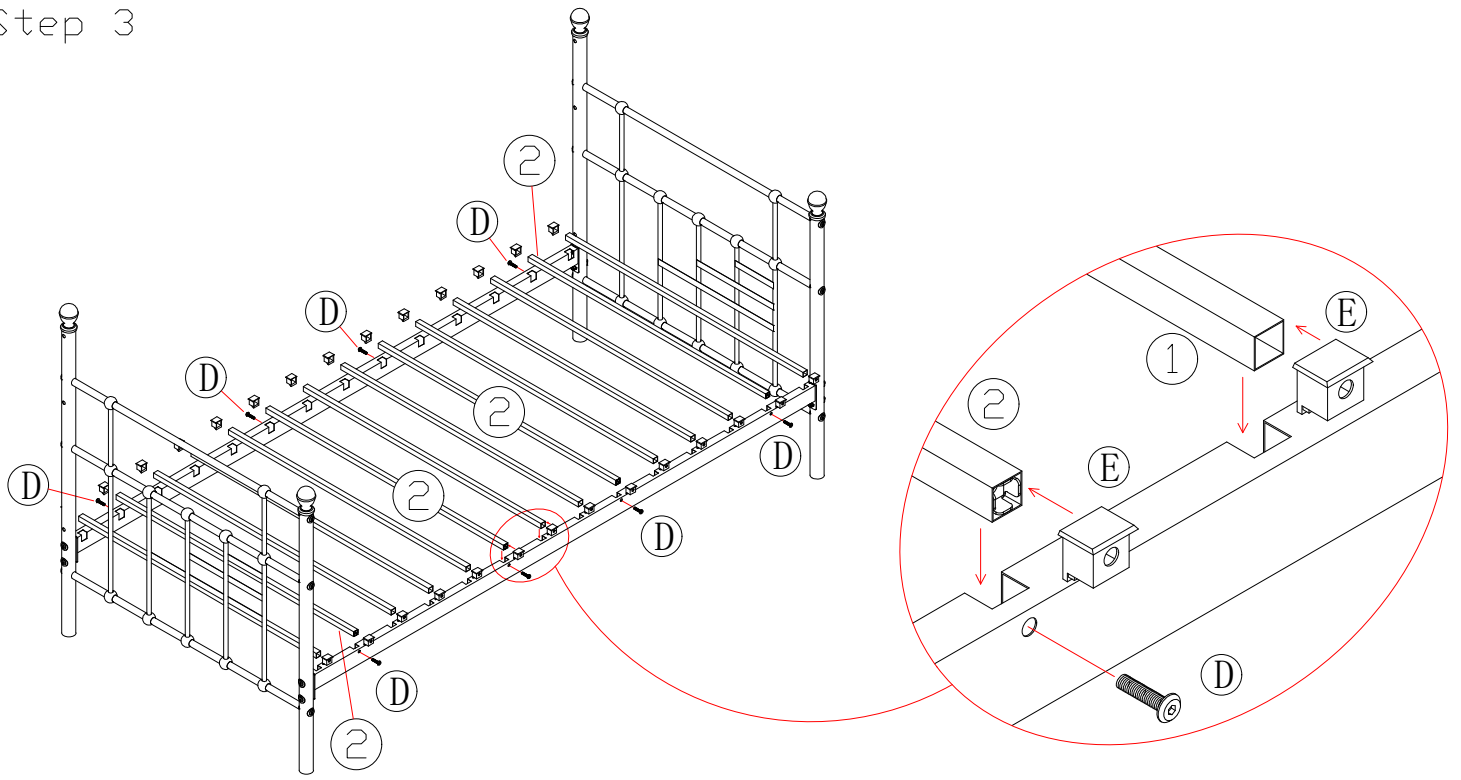
Step 1



Step 2



Step 3



Step 4

