

ASSEMBLY INSTRUCTIONS

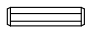


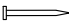





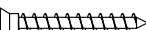
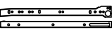
383-000107

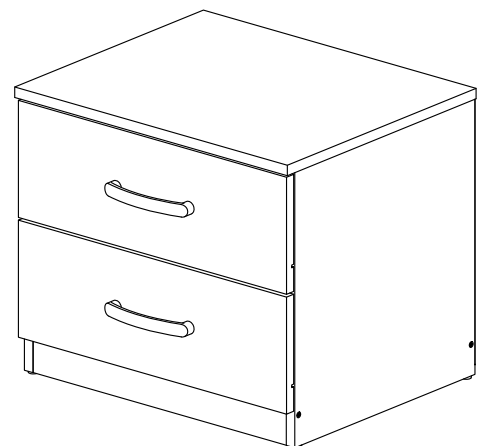


IMPORTANT

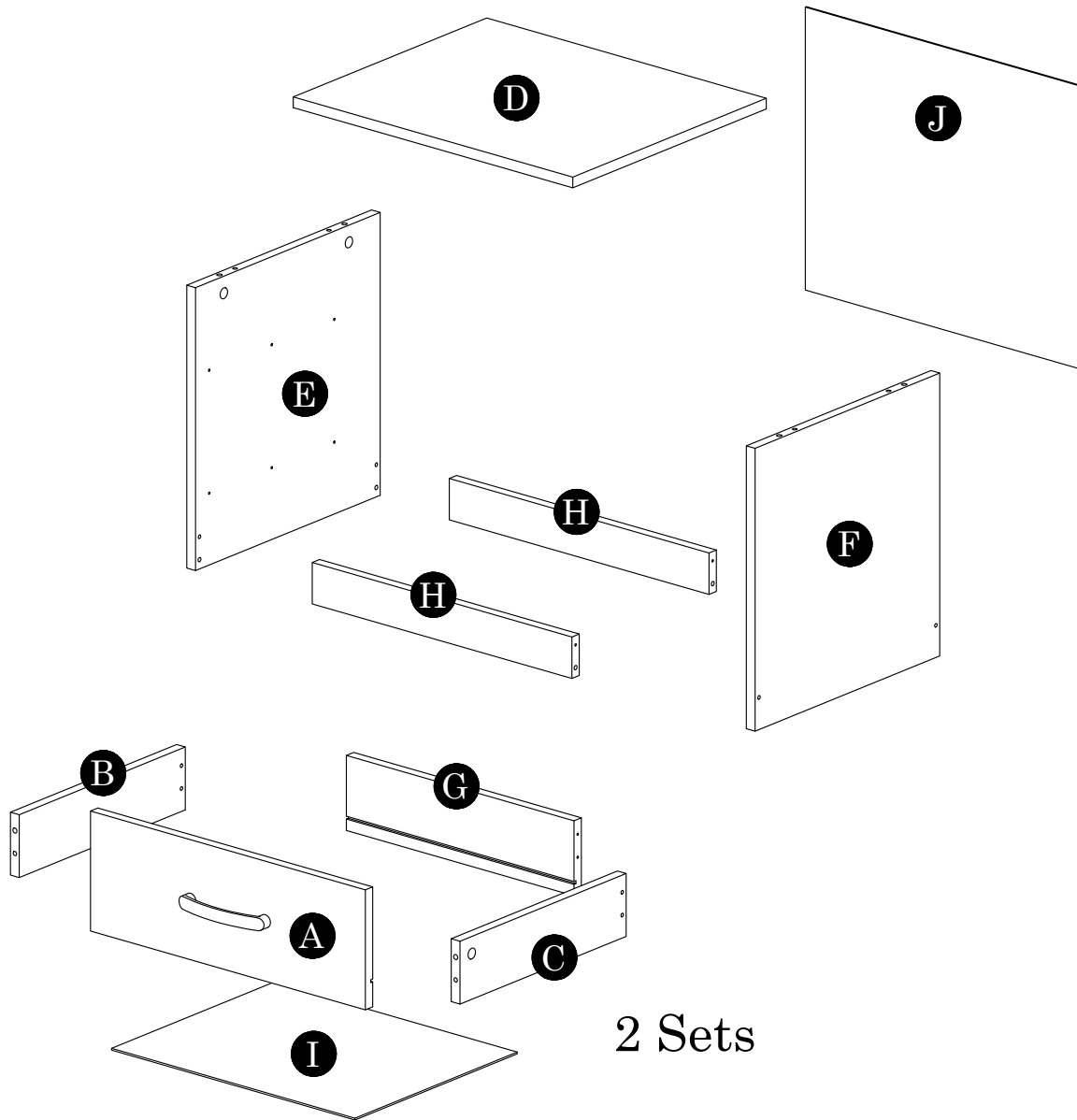
PLEASE READ BEFORE YOU CONTINUE FURTHER

1. MATERIAL USE LAMINATED PARTICLE BOARD, TO CLEAN USE SOFT, DRY CLOTH.
2. DO NOT USE DETERGENT OR CHEMICAL AVOID CONTACT WITH WATER AND DIRECT SUNLIGHT.
3. TO BE ASSEMBLED ON A SOFT, DRY, CLEAN SMOOTH SURFACE.
4. DO NOT USE ANY TOOLS OTHER THAN THOSE SHOWN.
5. USE OF POWER TOOLS TO ASSEMBLE THIS PRODUCT WILL INVALIDATE ANY CLAIM AND MAY DAMAGE THIS PRODUCT MAKING IT UNSAFE.
6. BEFORE STARTING ASSEMBLY PLEASE VERIFY IF ALL PARTS AND HARDWARE ARE INCLUDED.

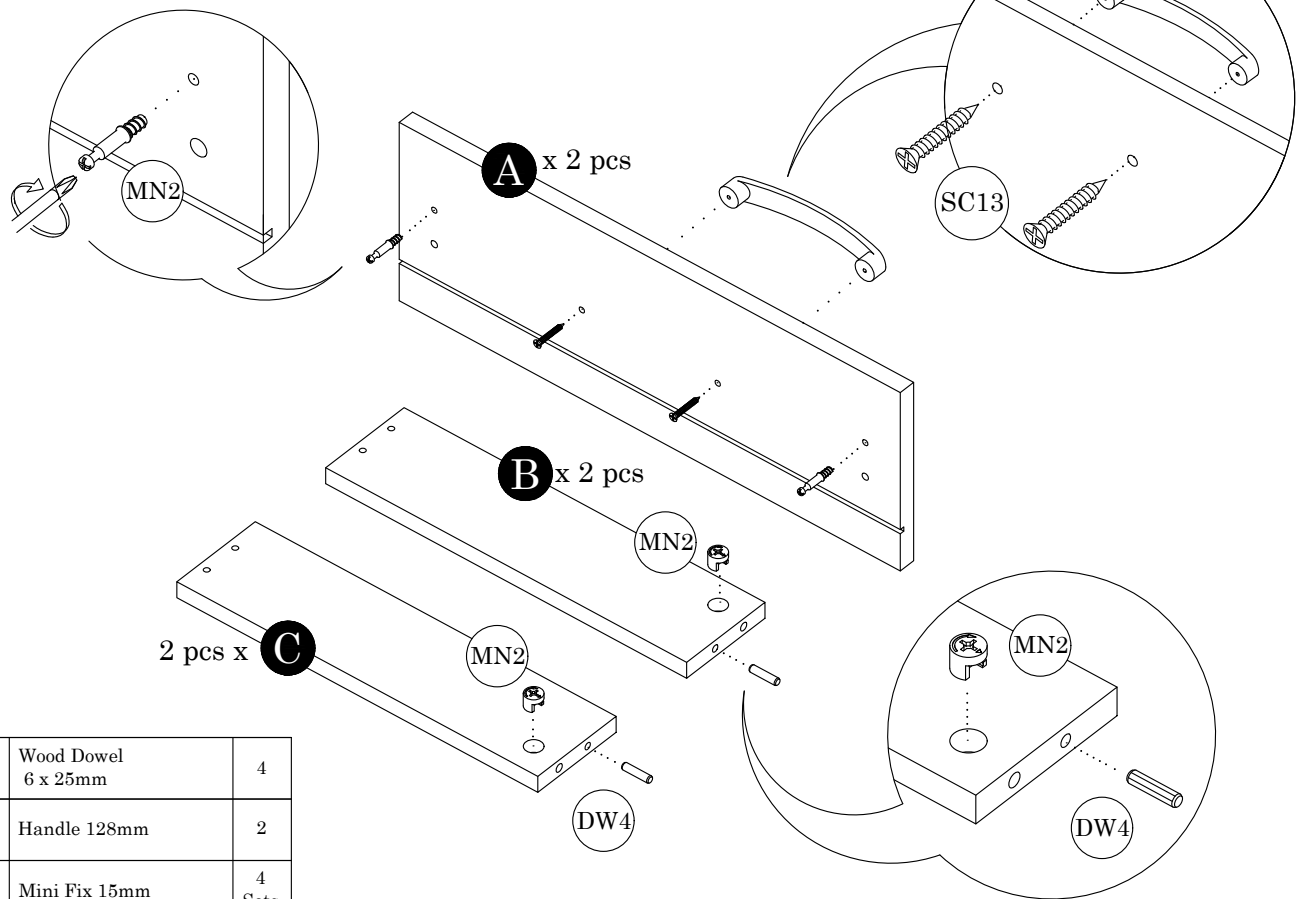
HARDWARE LIST			QTY (pcs)
DW4		Wood Dowel 6 x 25mm	12
HD6		Handle 128mm	2
LG1		Leg Pin	4
MF2		Nail	25 (+3)
MN2		Mini Fix 15mm	8 Sets
PF2		Single Plastic Cap	4
SC3		Screw M3.5 x 14mm	31
SC13		Screw M4 x 30mm	4
SC18		Screw M4 x 38mm	8
SC25		FH Screw M5 x 40mm	4
SL7		Drawer Metal Slide 350mm	2 Sets



Parts List		QTY
A	Drawer Front Panel	2 pcs
B	Drawer Side Panel (L)	2 pcs
C	Drawer Side Panel (R)	2 pcs
D	Top Panel	1 pc
E	Side Panel (L)	1 pc
F	Side Panel (R)	1 pc
G	Drawer Back Board	2 pcs
H	Bottom Crossbar	2 pcs
I	Drawer Bottom Panel	2 pcs
J	Backboard	1 pc

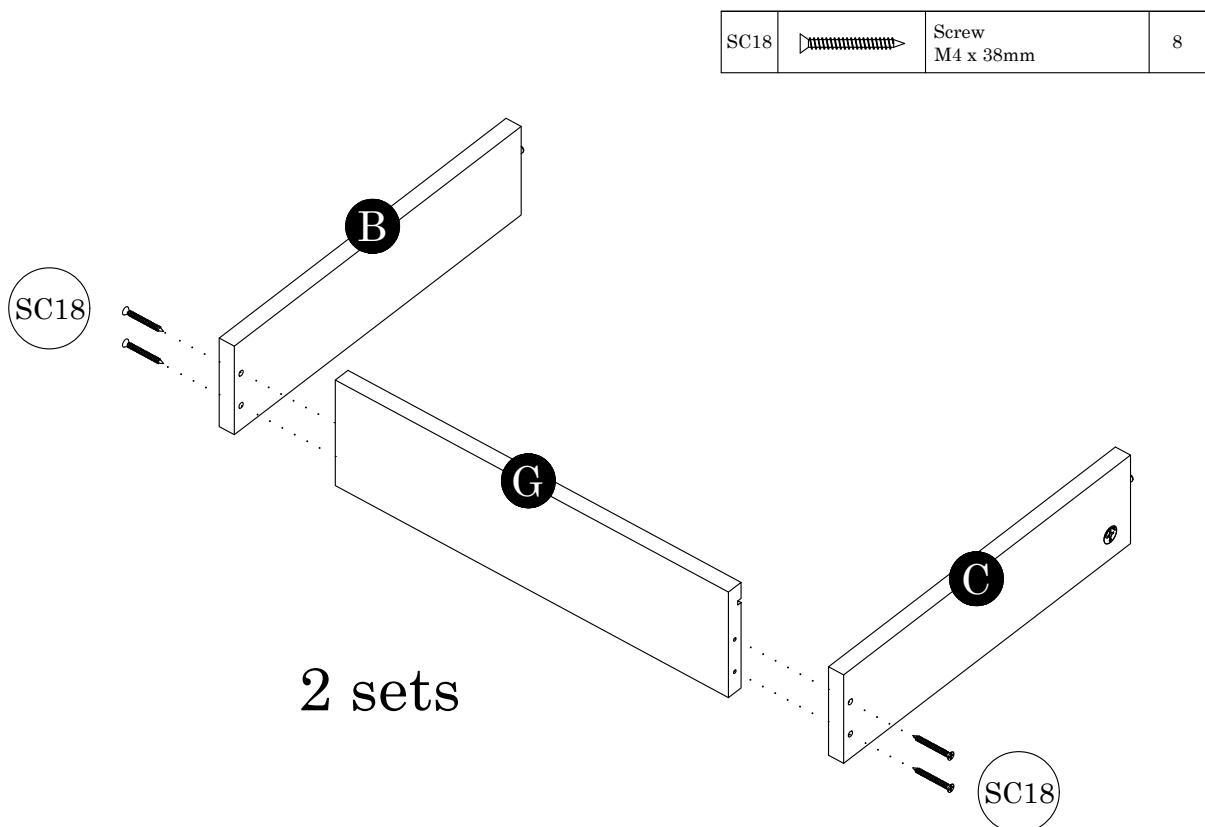


STEP 1



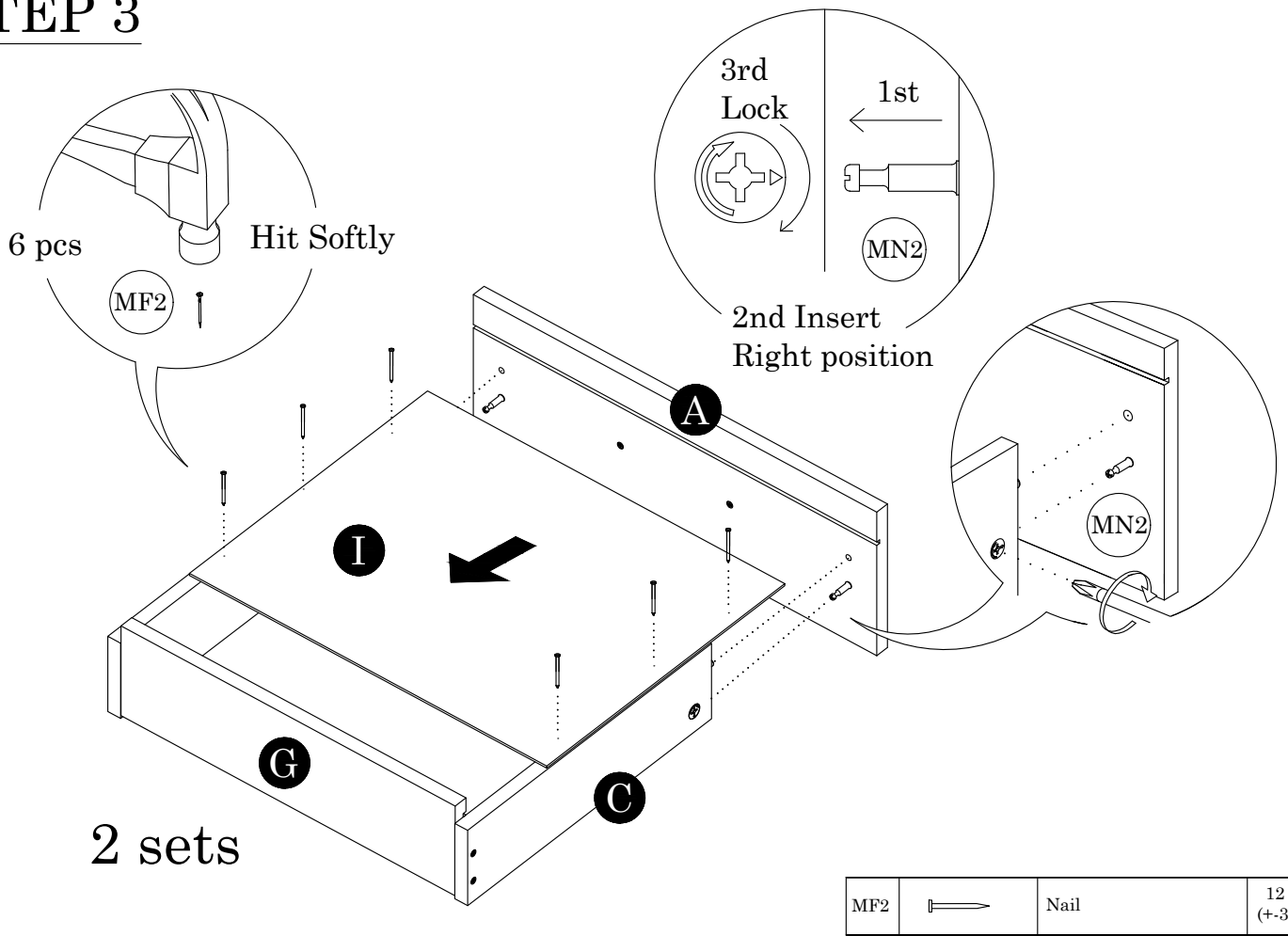
DW4		Wood Dowel 6 x 25mm	4
HD6		Handle 128mm	2
MN2		Mini Fix 15mm	4 Sets
SC13		Screw M4 x 30mm	4

STEP 2



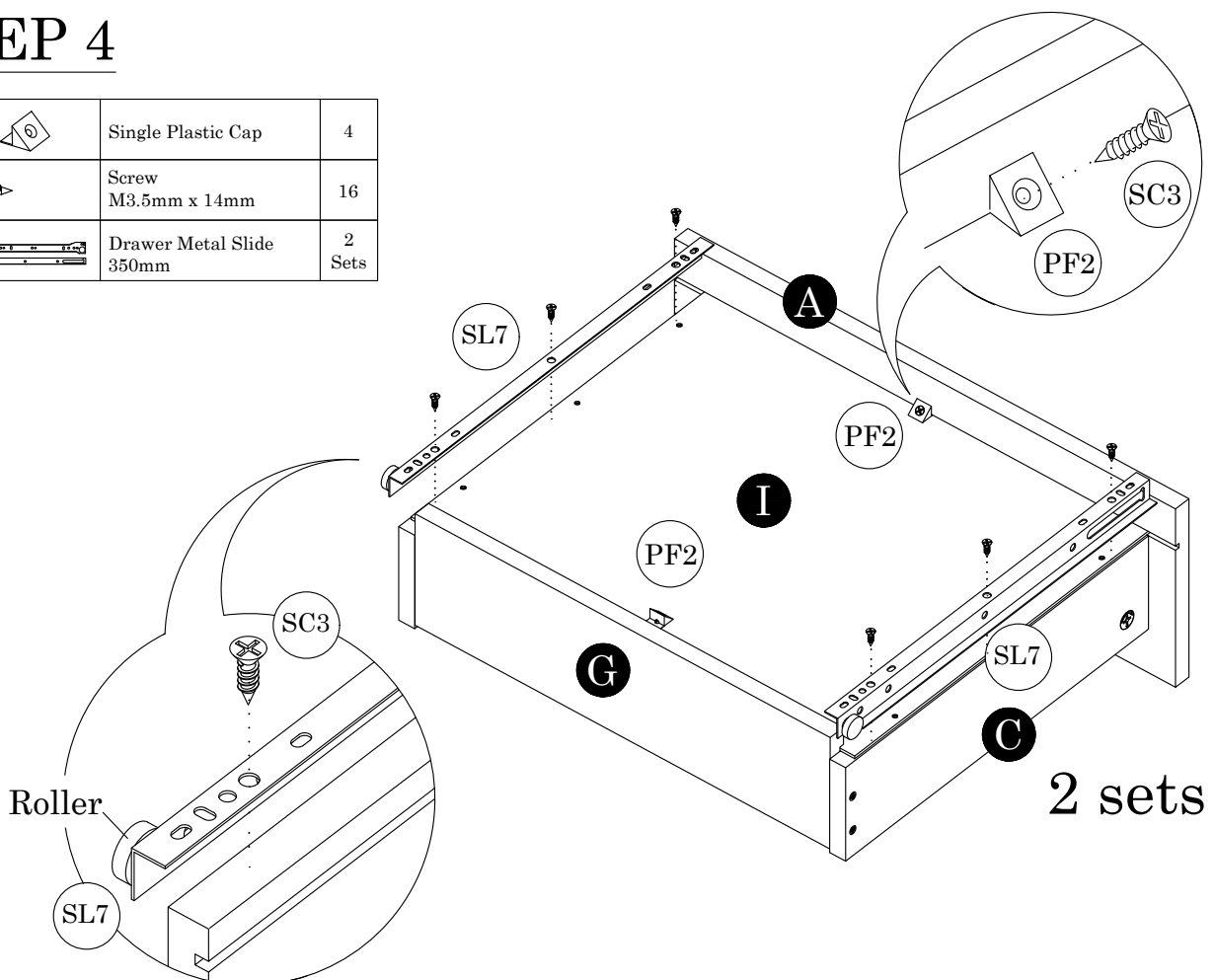
SC18		Screw M4 x 38mm	8
------	--	--------------------	---

STEP 3





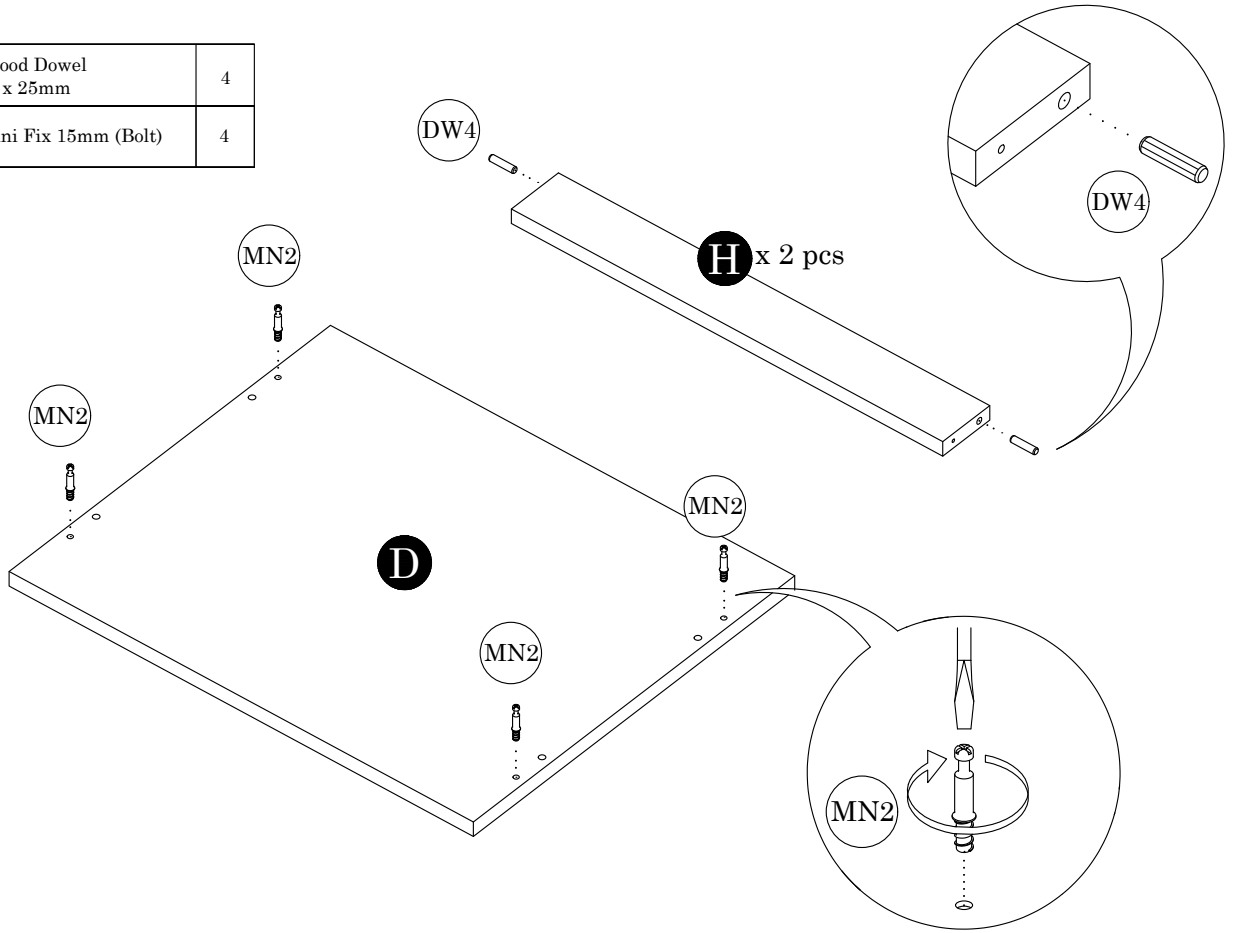
STEP 4

PF2		Single Plastic Cap	4
SC3		Screw M3.5mm x 14mm	16
SL7		Drawer Metal Slide 350mm	2 Sets







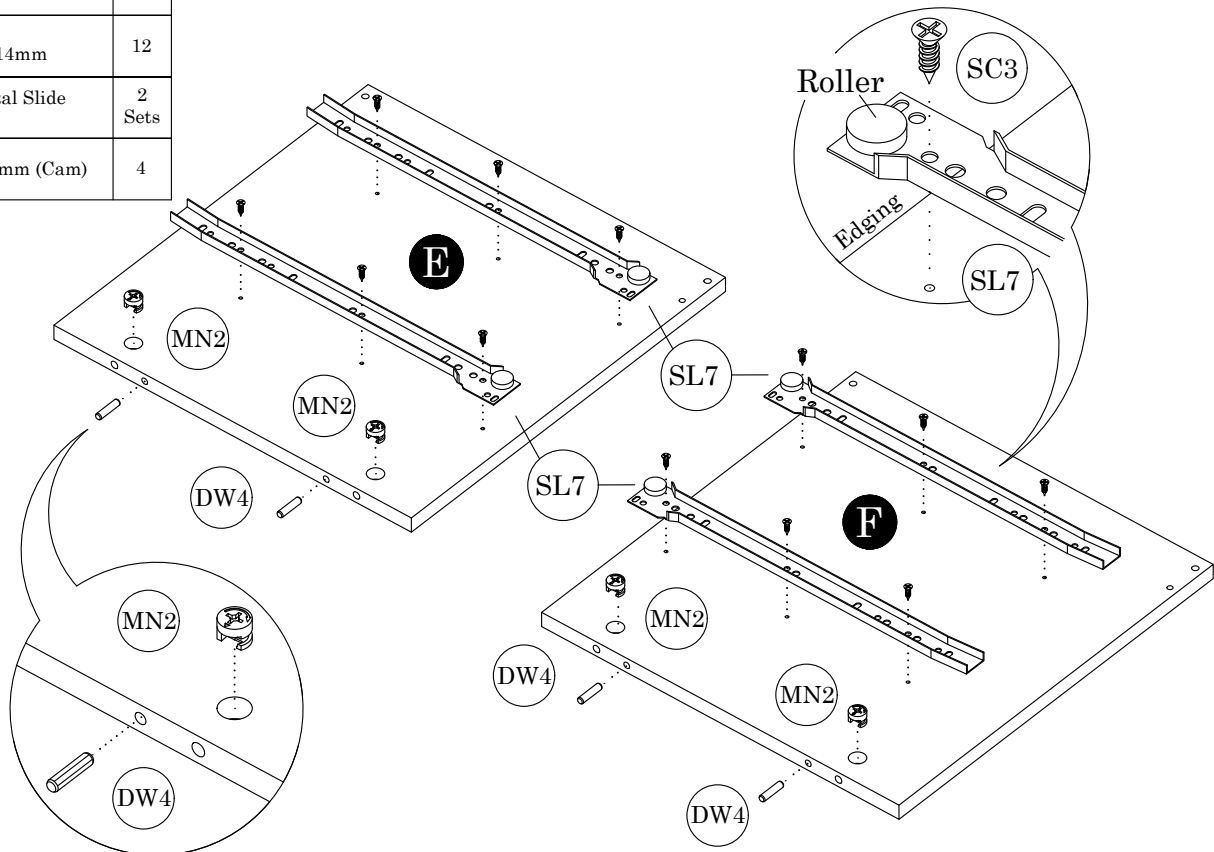
STEP 5

DW4		Wood Dowel 6 x 25mm	4
MN2		Mini Fix 15mm (Bolt)	4

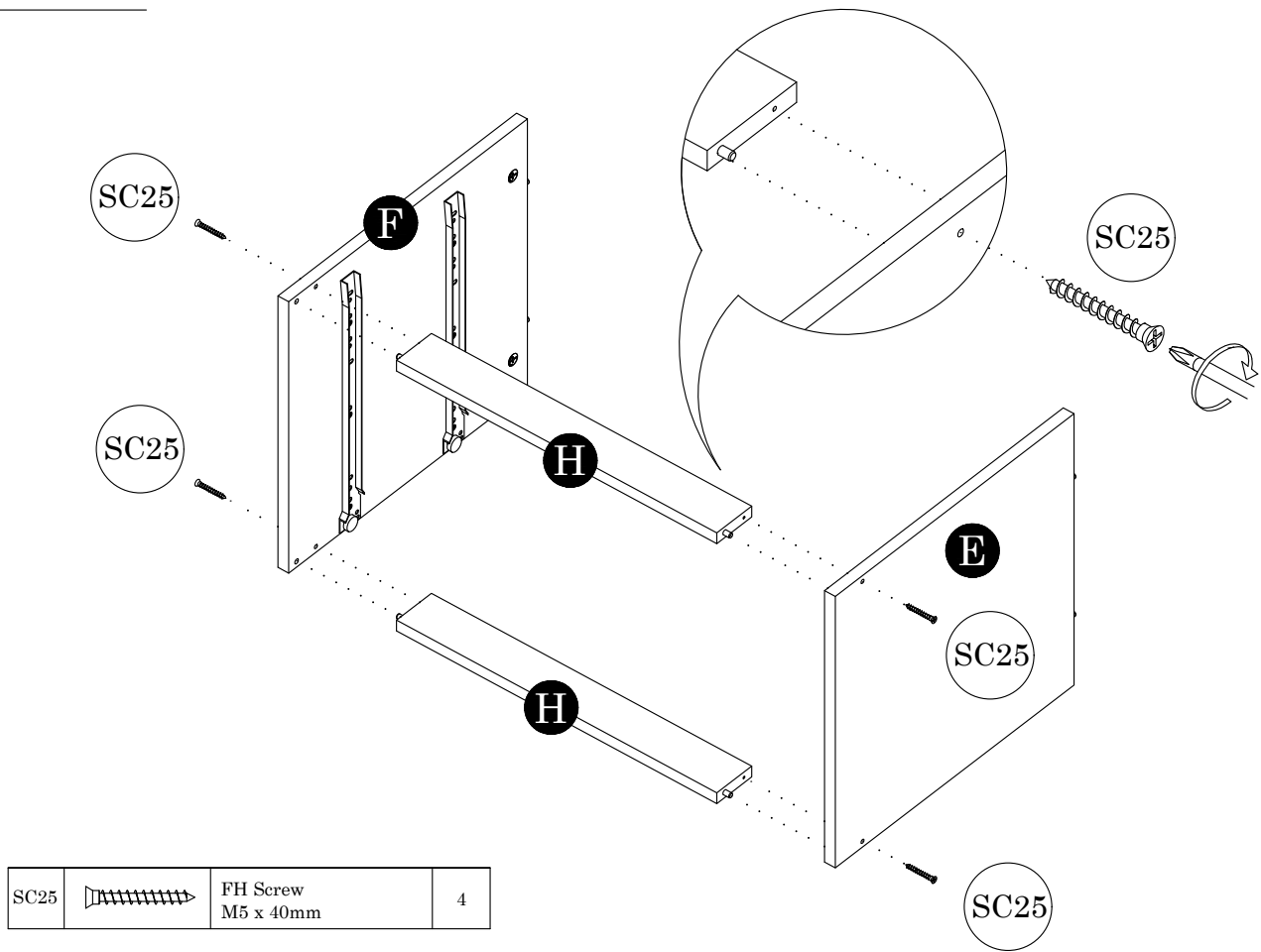


STEP 6

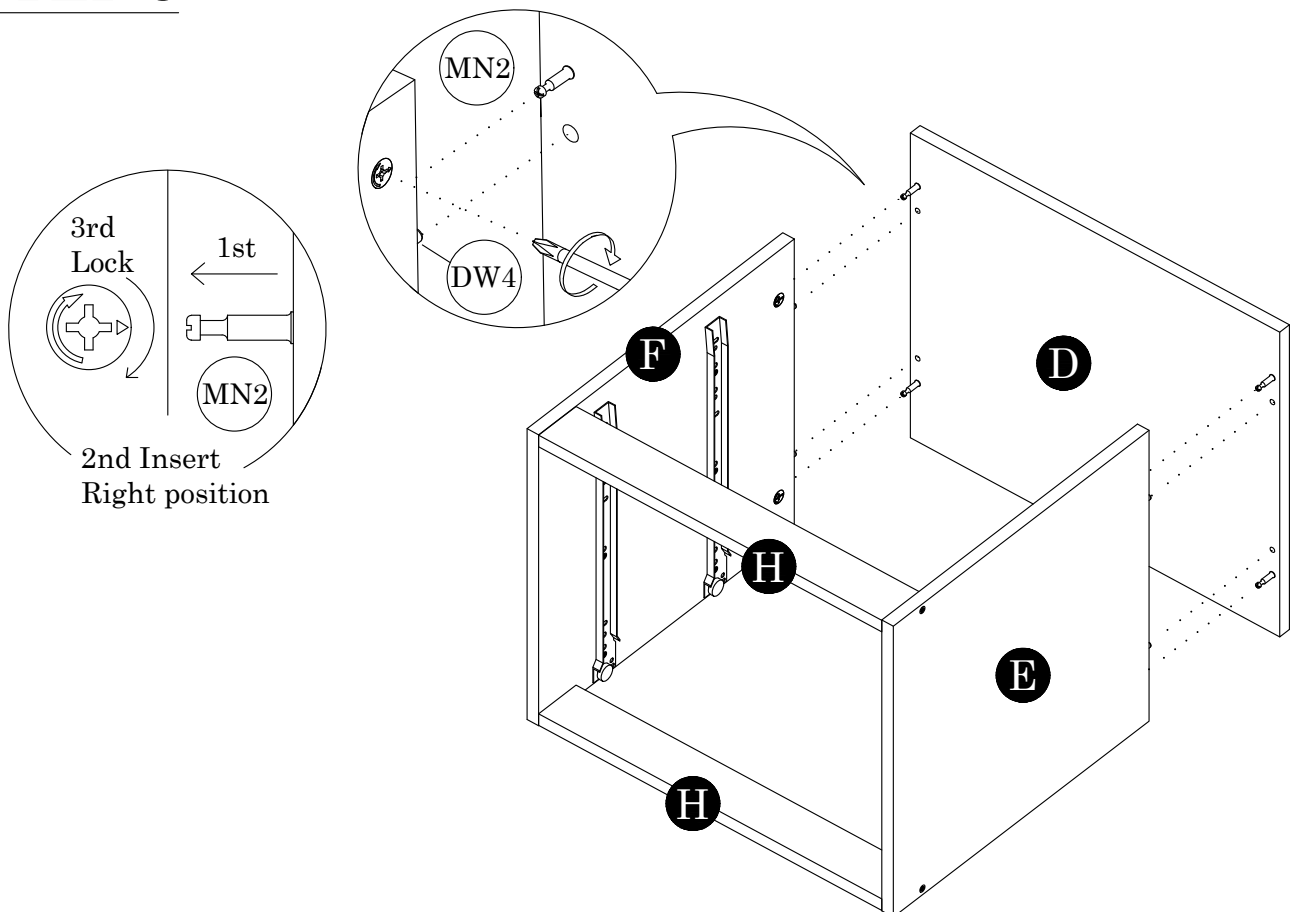
DW4		Wood Dowel 6 x 25mm	4
SC3		Screw M3.5mm x 14mm	12
SL7		Drawer Metal Slide 350mm	2 Sets
MN2		Mini Fix 15mm (Cam)	4



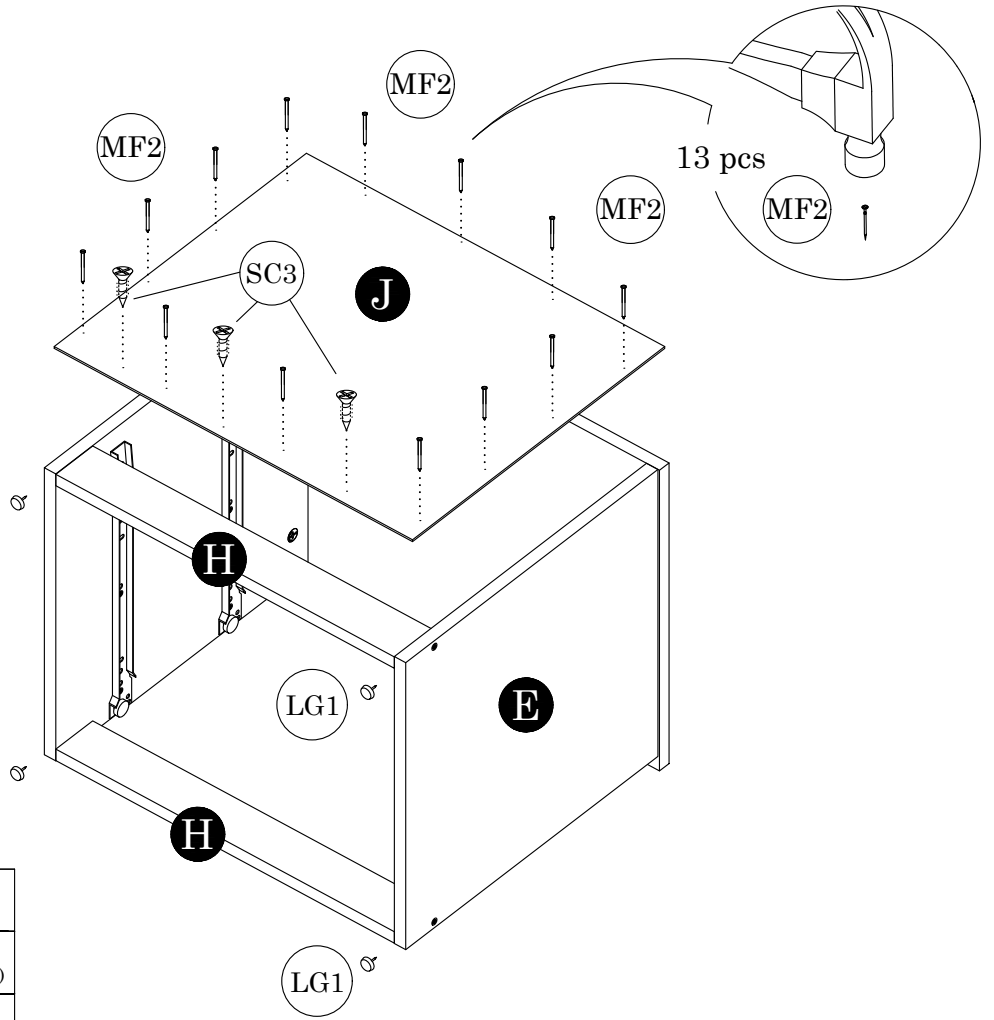
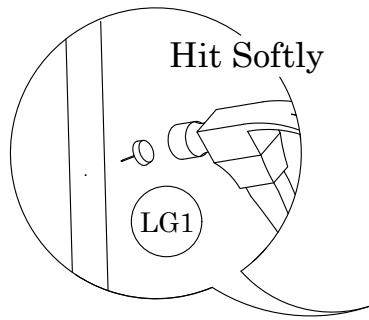
STEP 7



STEP 8

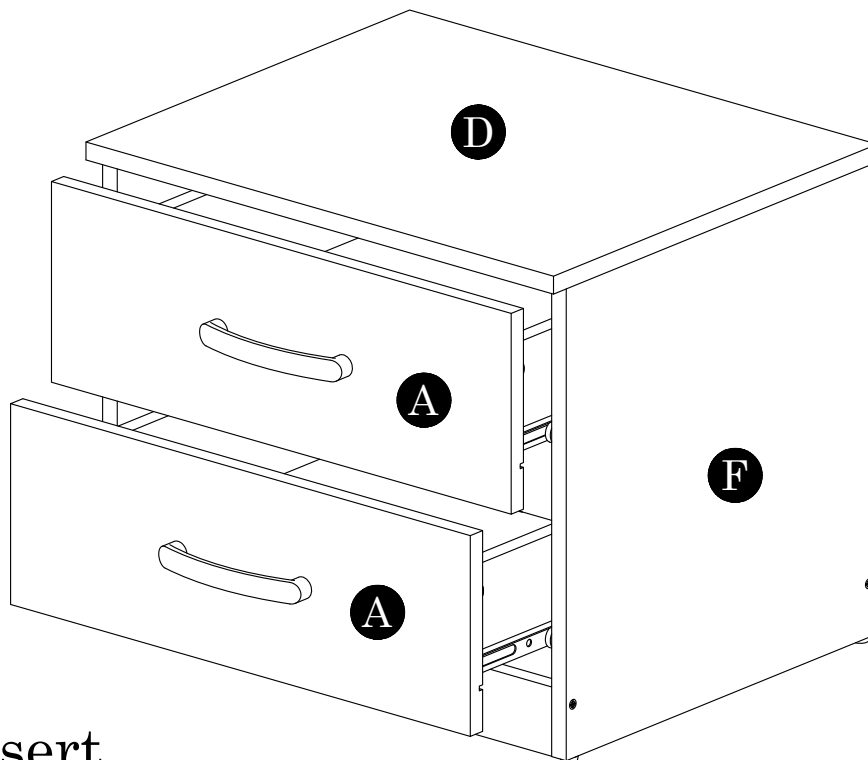


STEP 9



LG1		Leg Pin	4
MF2		Nail	13 (+-3)
SC3		Screw M3.5mm x 14mm	3

STEP 10



Stand up

Insert drawers