

ASSEMBLY INSTRUCTIONS

383-000065

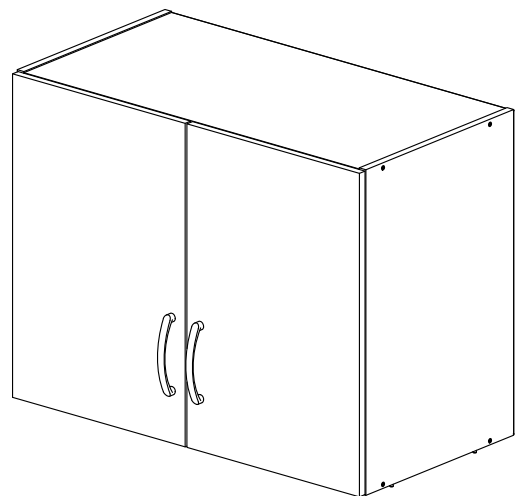


IMPORTANT

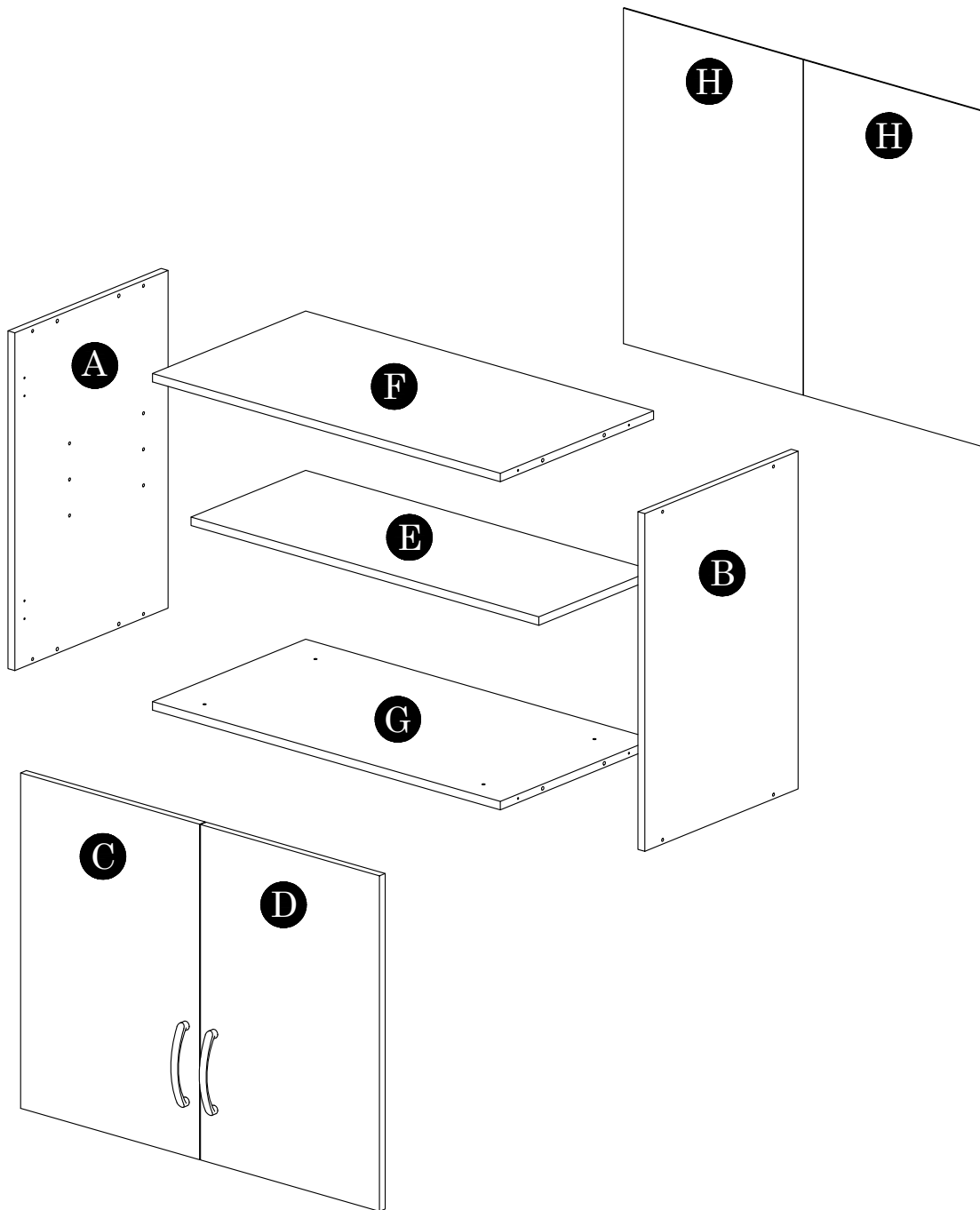
PLEASE READ BEFORE YOU CONTINUE FURTHER

1. MATERIAL USE LAMINATED PARTICLE BOARD, TO CLEAN USE SOFT, DRY CLOTH.
2. DO NOT USE DETERGENT OR CHEMICAL AVOID CONTACT WITH WATER AND DIRECT SUNLIGHT.
3. TO BE ASSEMBLED ON A SOFT, DRY, CLEAN SMOOTH SURFACE.
4. DO NOT USE ANY TOOLS OTHER THAN THOSE SHOWN.
5. USE OF POWER TOOLS TO ASSEMBLE THIS PRODUCT WILL INVALIDATE ANY CLAIM AND MAY DAMAGE THIS PRODUCT MAKING IT UNSAFE.
6. BEFORE STARTING ASSEMBLY PLEASE VERIFY IF ALL PARTS AND HARDWARE ARE INCLUDED.

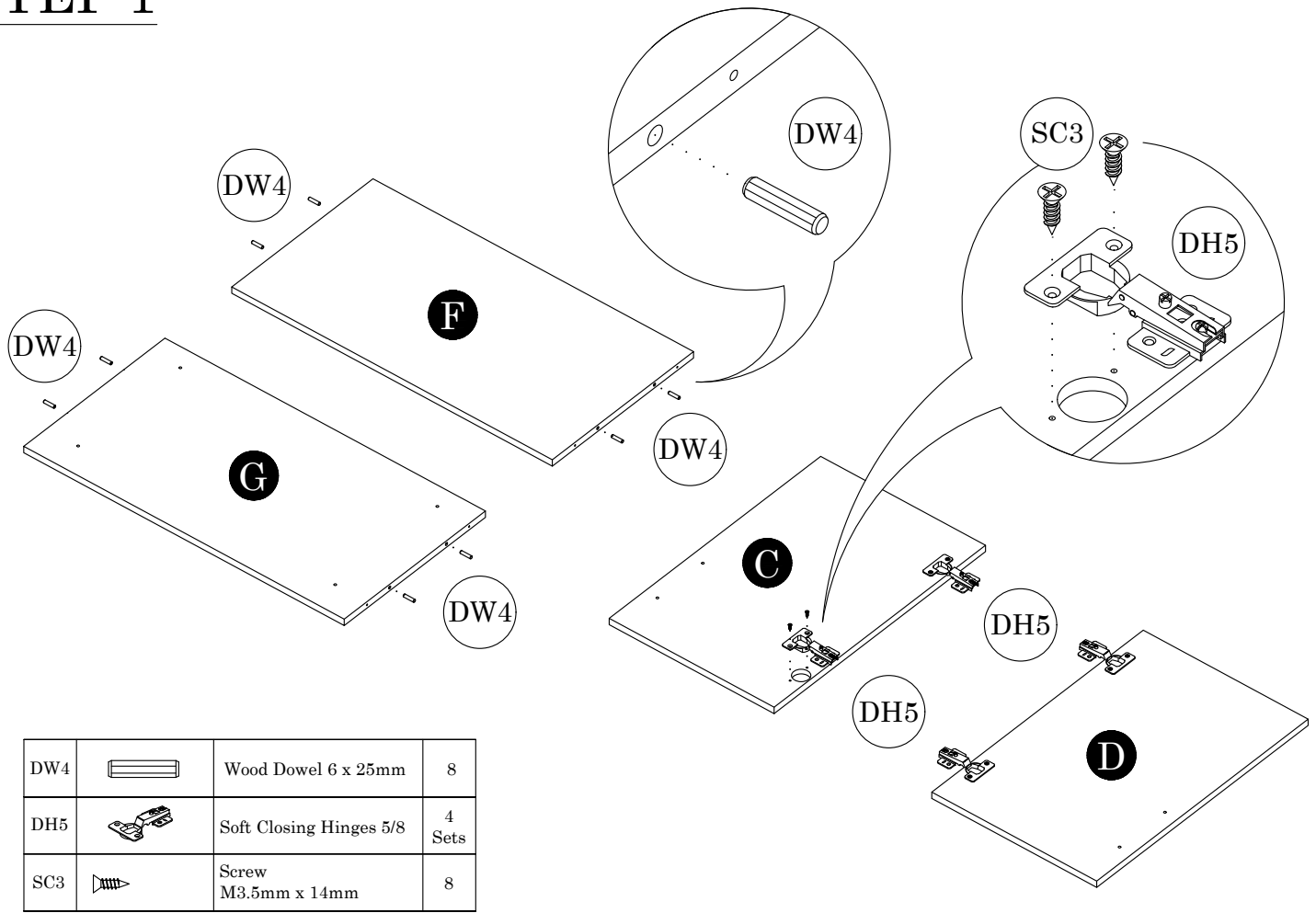
HARDWARE LIST			QTY (pcs)
DH5		Soft Closing Hinges 5/8	4 Sets
DW4		Wood Dowel 6 x 25mm	12
HD6		Plastic Handle 128mm	2
MF2		Nail	20 (+3)
SC3		Screw M3.5 x 14mm	24
SC11		Screw M4 x 25mm	4
SC13		Screw M4 x 30mm	4
SC25		FH Screw M5 x 40mm	8
SH4		Plastic Shelf Support with Steel Pin	4



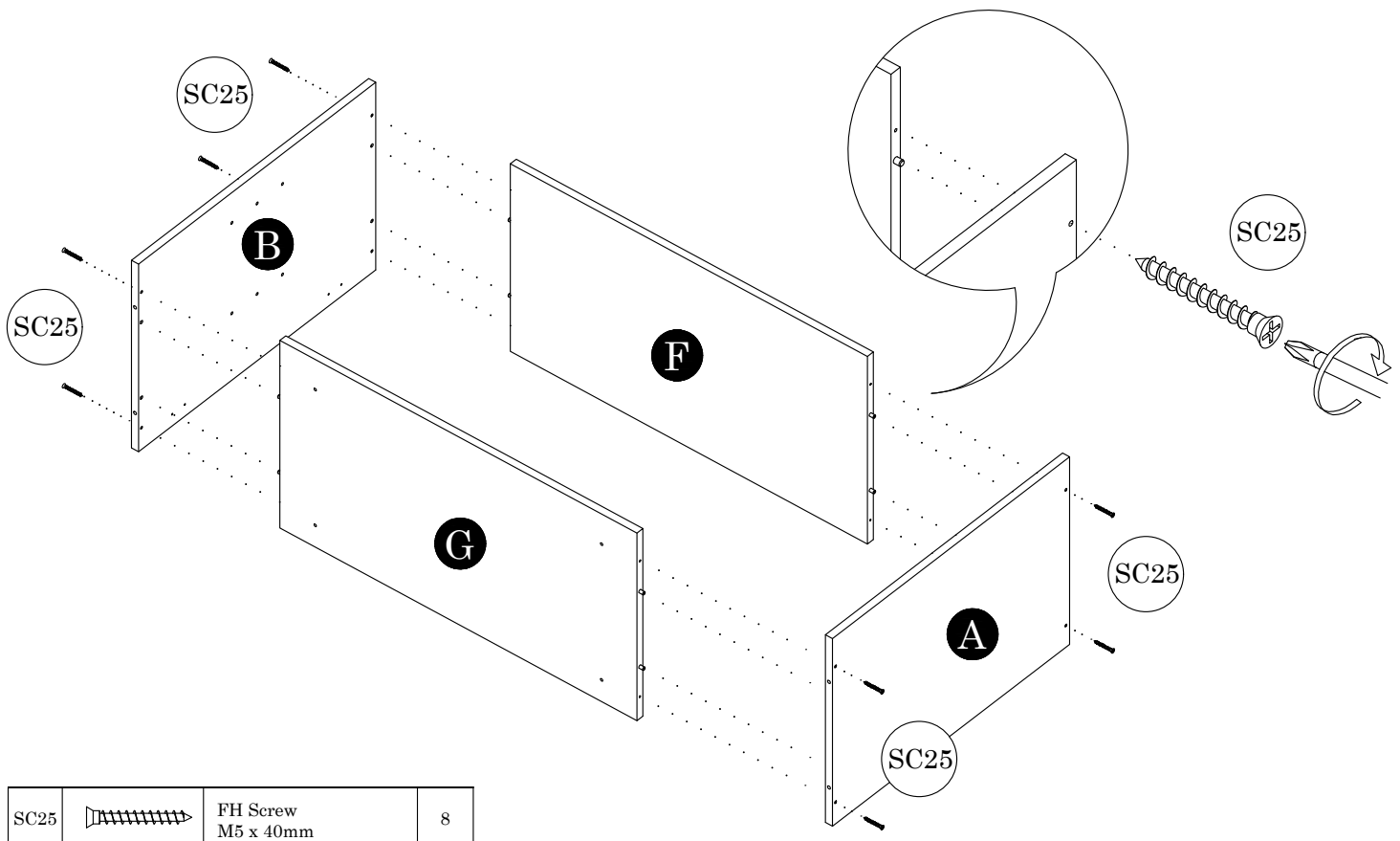
Parts List		QTY
A	Side Panel (L)	1 pc
B	Side Panel (R)	1 pc
C	Door Panel (L)	1 pc
D	Door Panel (R)	1 pc
E	Free Shelf Panel	1 pc
F	Top Panel	1 pc
G	Bottom Panel	1 pc
H	Backboard	2 pcs



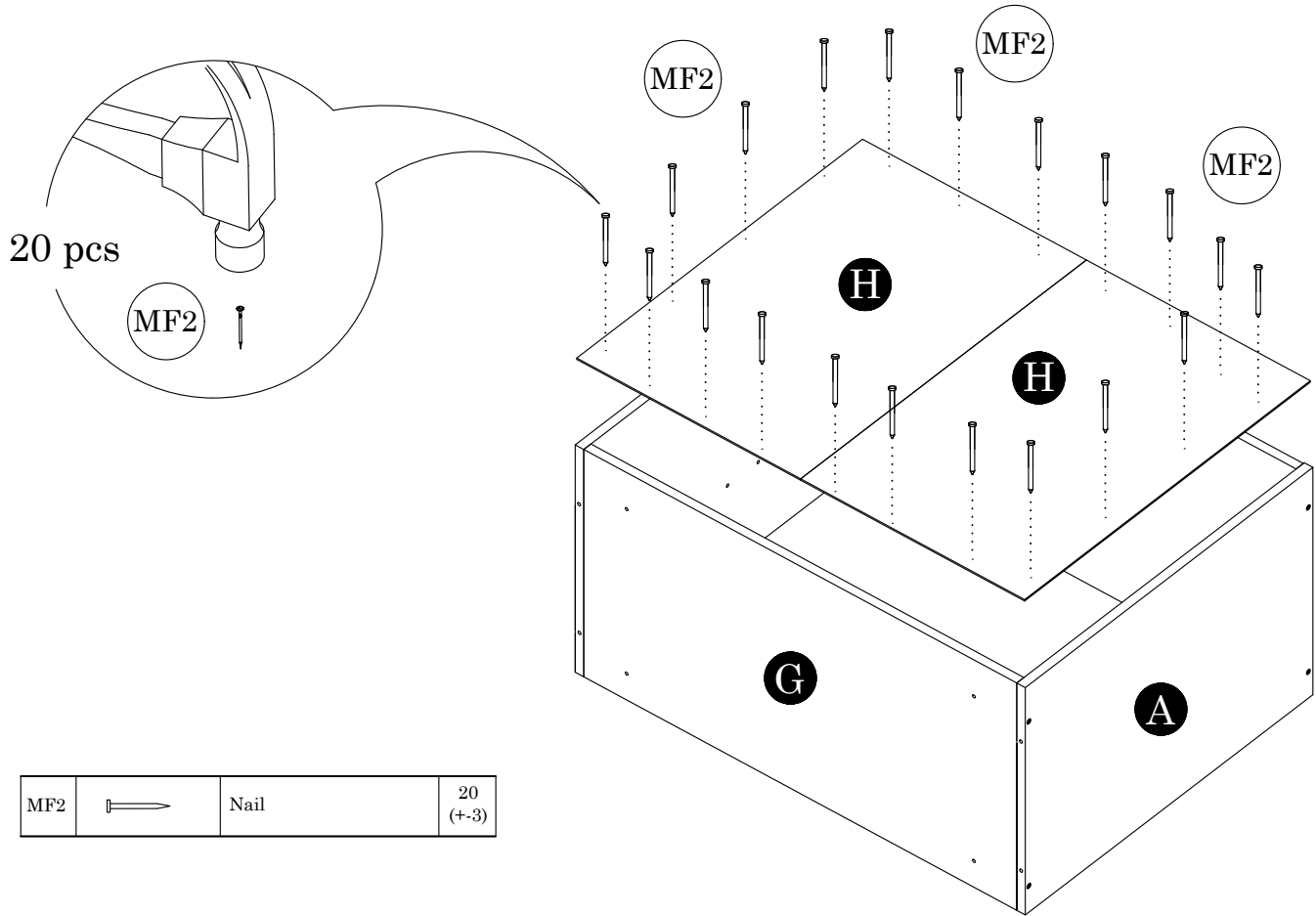
STEP 1



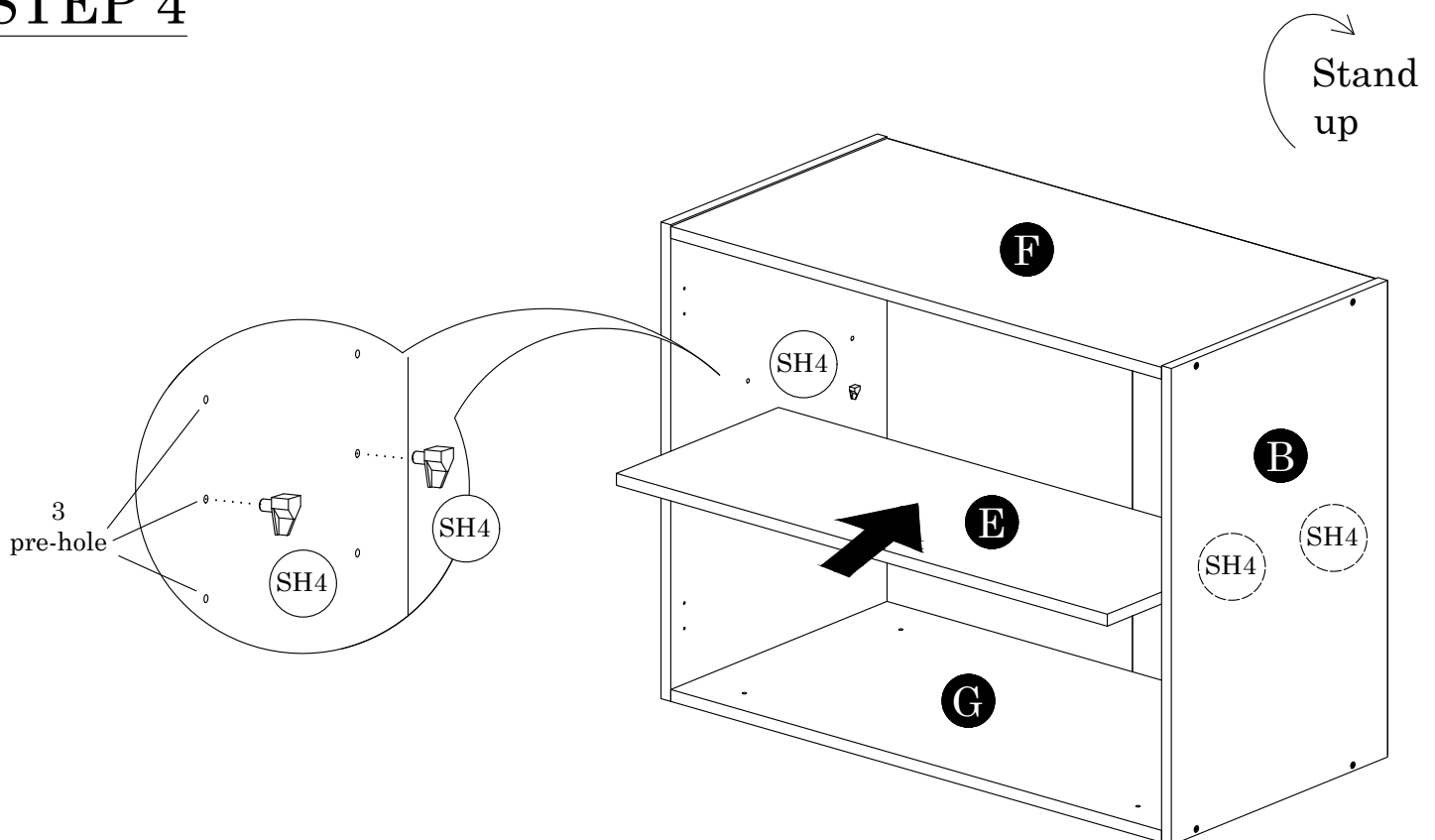
STEP 2



STEP 3

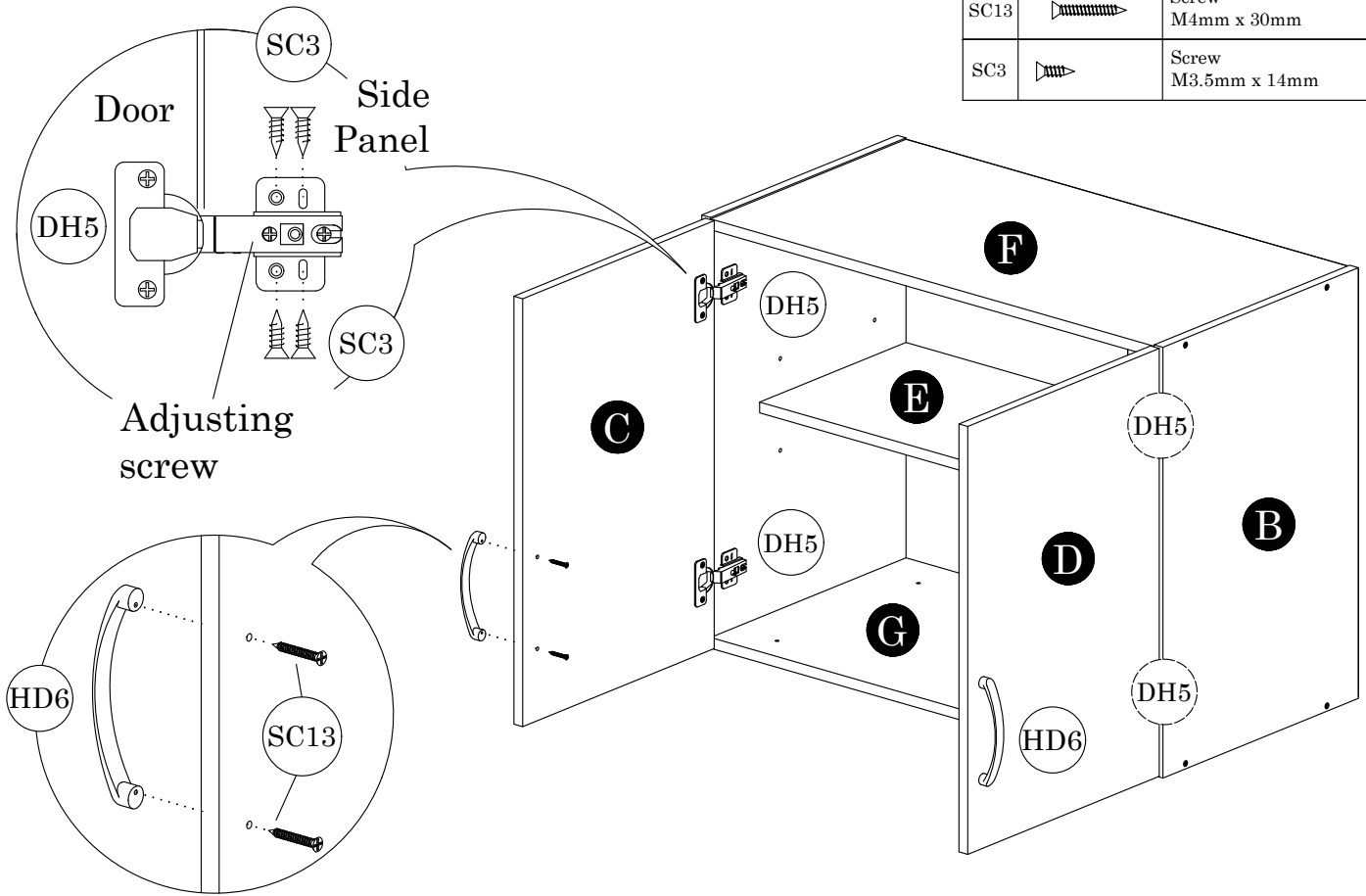


STEP 4

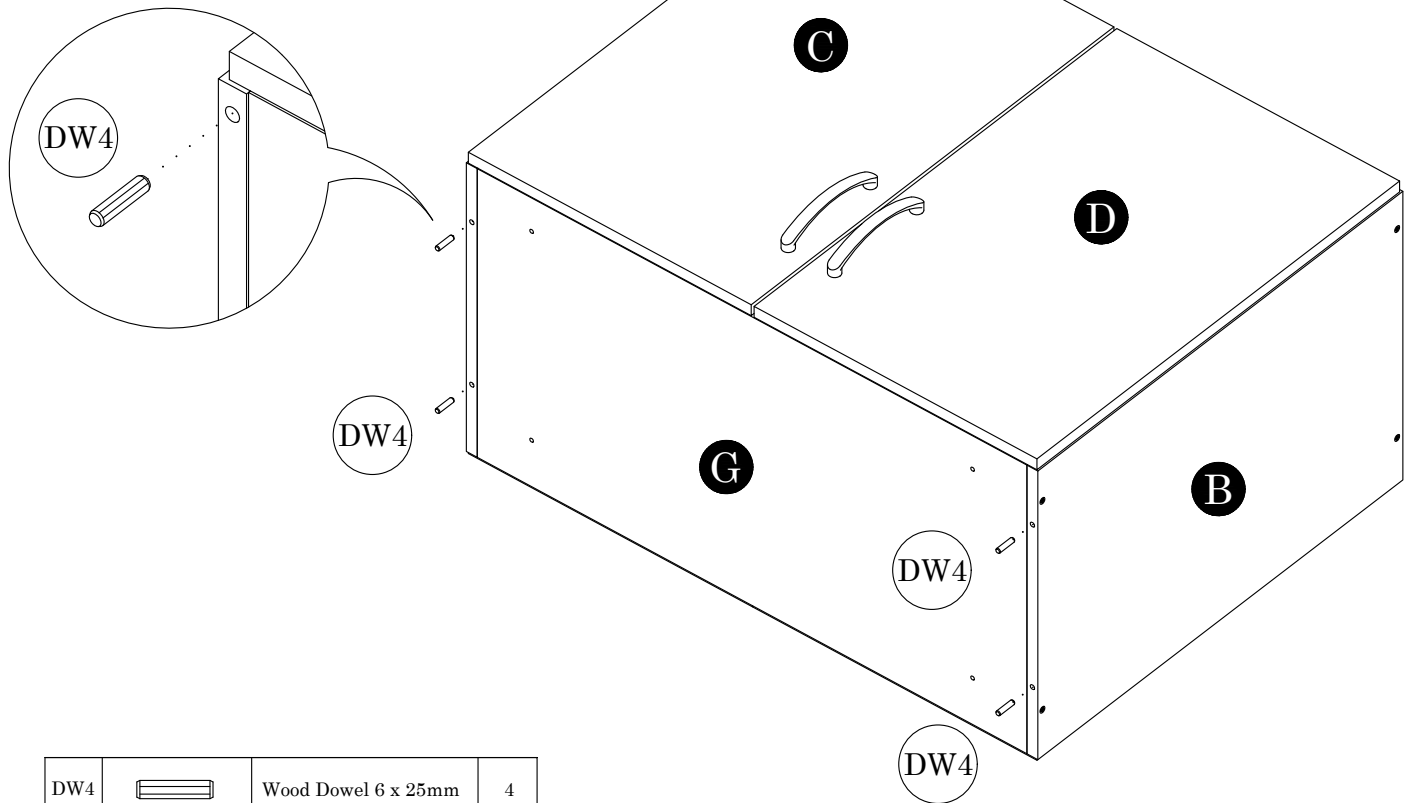


STEP 5

DH5		Soft Closing Hinges 5/8	4 Sets
HD6		Plastic Handle 128mm	2
SC13		Screw M4mm x 30mm	4
SC3		Screw M3.5mm x 14mm	16

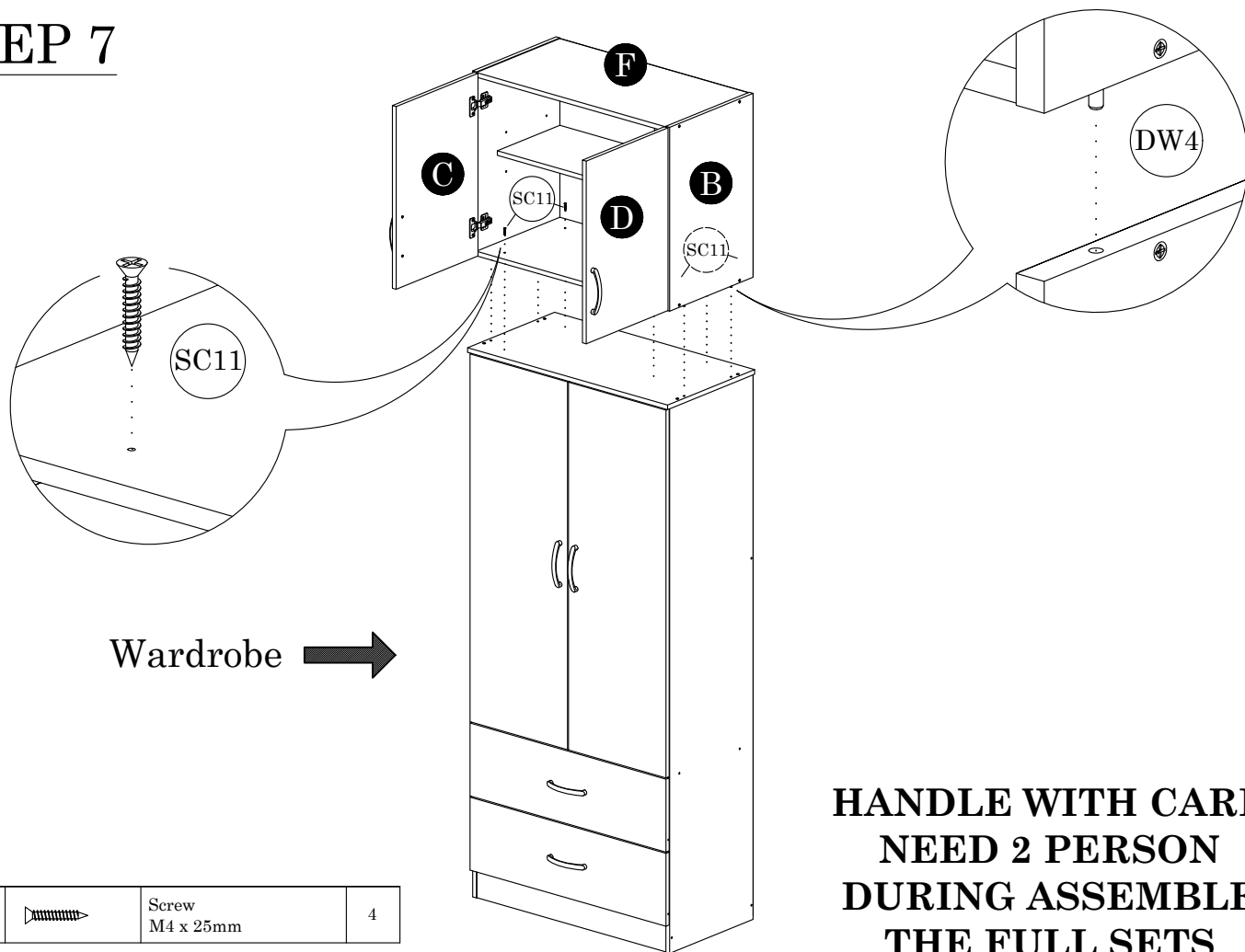


STEP 6



DW4		Wood Dowel 6 x 25mm	4
-----	--	---------------------	---

STEP 7



**HANDLE WITH CARE
NEED 2 PERSON
DURING ASSEMBLE
THE FULL SETS**

STEP 8

