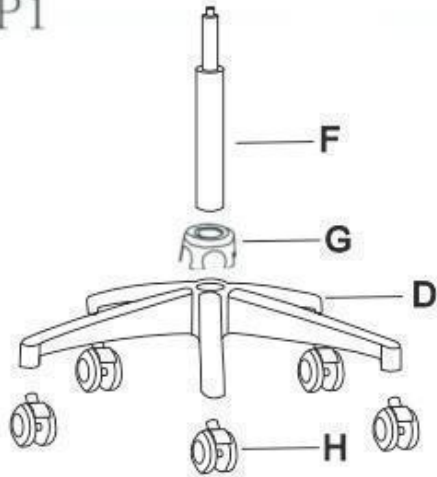
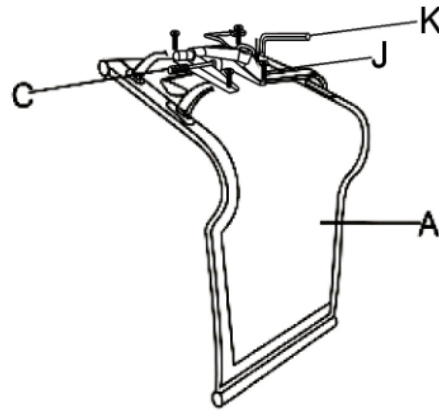


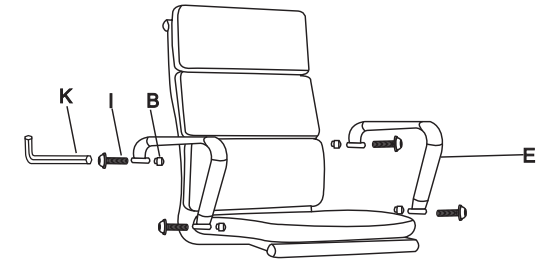
STEP1



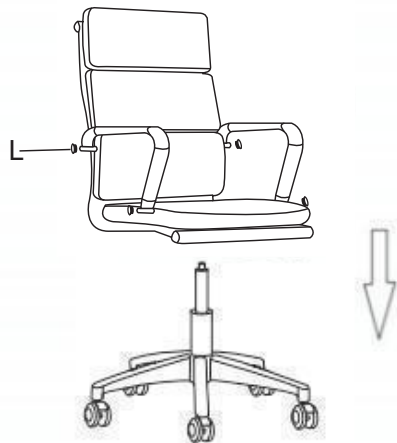
STEP2



STEP3



STEP4



STEP5



" I " is longer screw used for installing the arms, and " J " is shorter screw used for installing the tray.

" B " is used below " I ", and " L " is used above " I ". First, place " B " below " I ", then put them into the arm holes, tighten " I " with " K ", and finally cover " I " with " L ".

A	B	C	D	E	F	G	H	I	J	K	L						
X1	X4	X1	X1	X2	X1	X1	X5	X4	X4	X1	X4						

SEAT SCREW CAP TRAY FIVE CLAWS ARMS GAS LIFT BRIGHT COVER WHEELS 8x40SCREW 6x20SCREW SCREW TOOL BUTTON