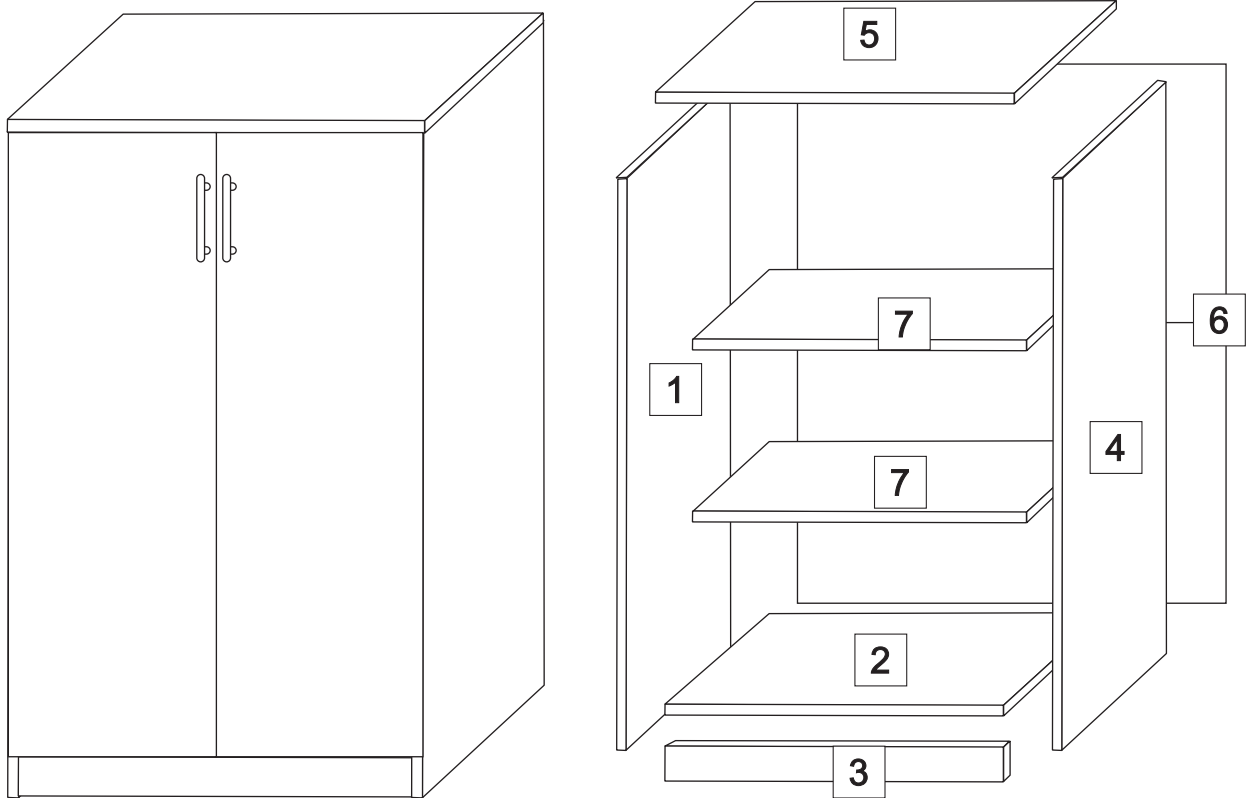




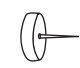
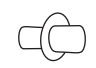


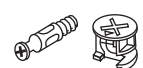
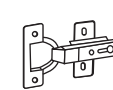



# 249-000052

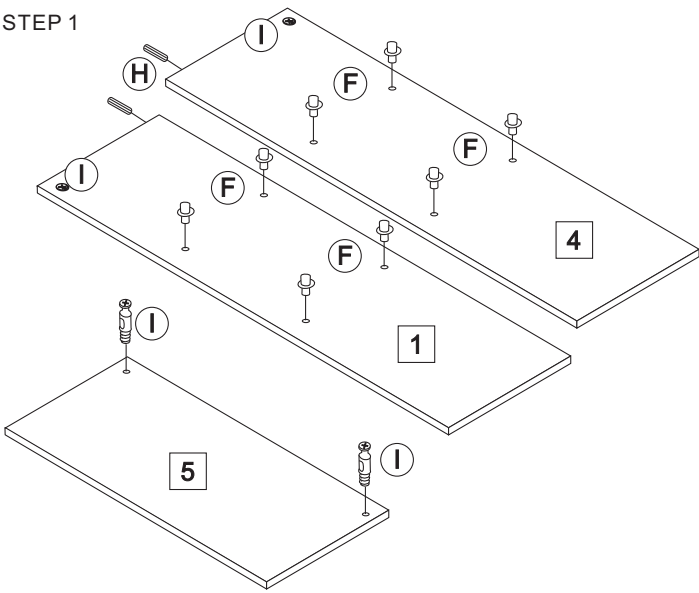


HARDWARE					
<p><b>(A)</b></p>  <p>JCBC M5 X 40mm X 6</p>	<p><b>(B)</b></p>  <p>M4 X 30mm X 4</p>	<p><b>(C)</b></p>  <p>M3.5 X 14mm X 16</p>	<p><b>(D)</b></p>  <p>Nail X 22</p>	<p><b>(E)</b></p>  <p>Leg Pin X 4</p>	<p><b>(F)</b></p>  <p>Plastic Shelf Support X 10</p>
<p><b>(G)</b></p>  <p>Handle X 2</p>	<p><b>(H)</b></p>  <p>Dowel M8 x 25mm X 2</p>	<p><b>(I)</b></p>  <p>Mini Fit X 2 sets</p>	<p><b>(J)</b></p>  <p>Hinge X 4</p>	<p><b>(K)</b></p>  <p>Allen Key X 1</p>	

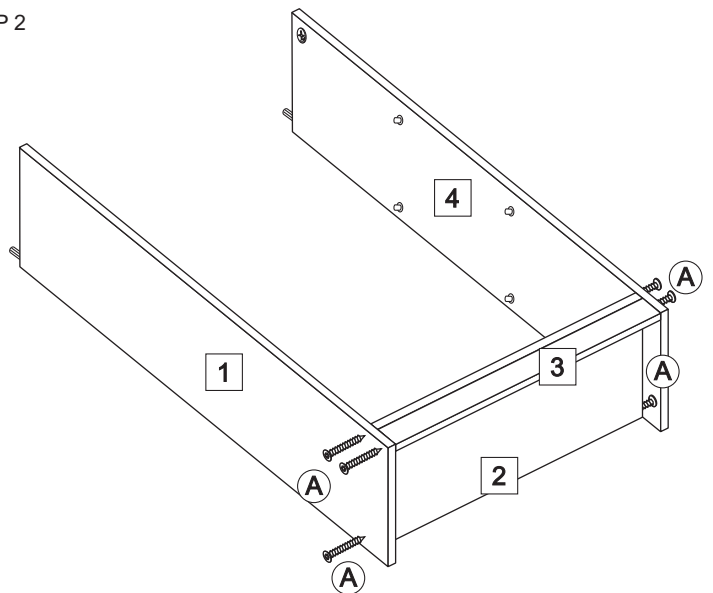
Ruler- Use this ruler to help correctly identify the bolts.



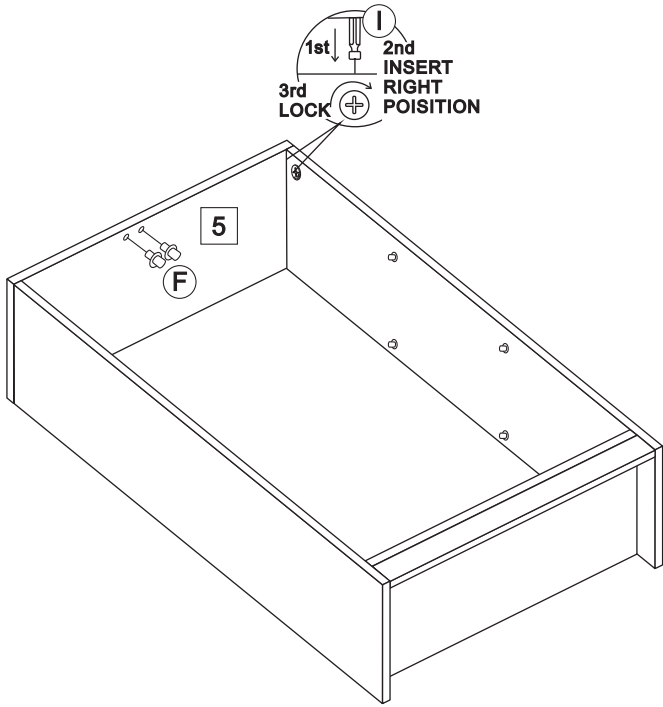
STEP 1



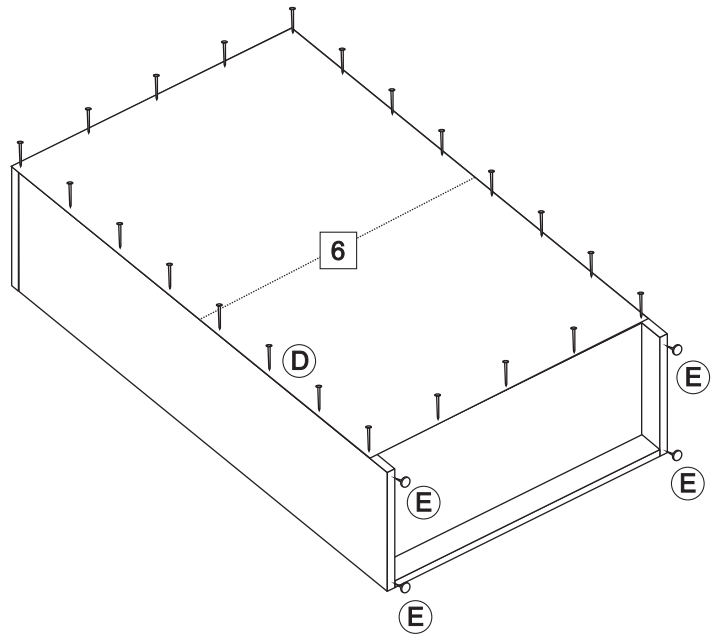
STEP 2



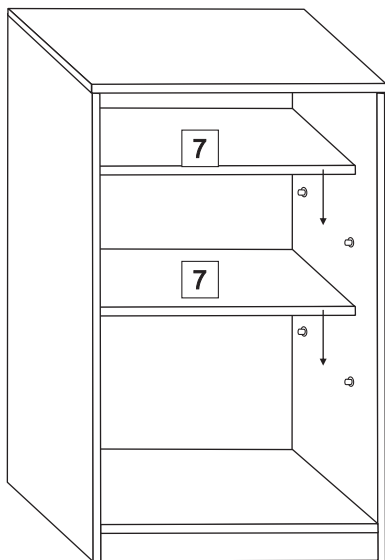
STEP 3



STEP 4



STEP 5



STEP 6

