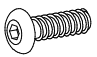
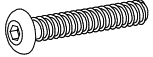
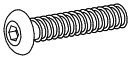

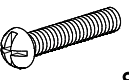
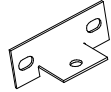
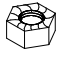

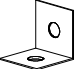
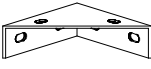
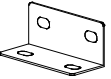
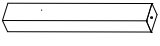


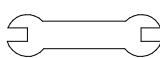

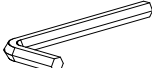
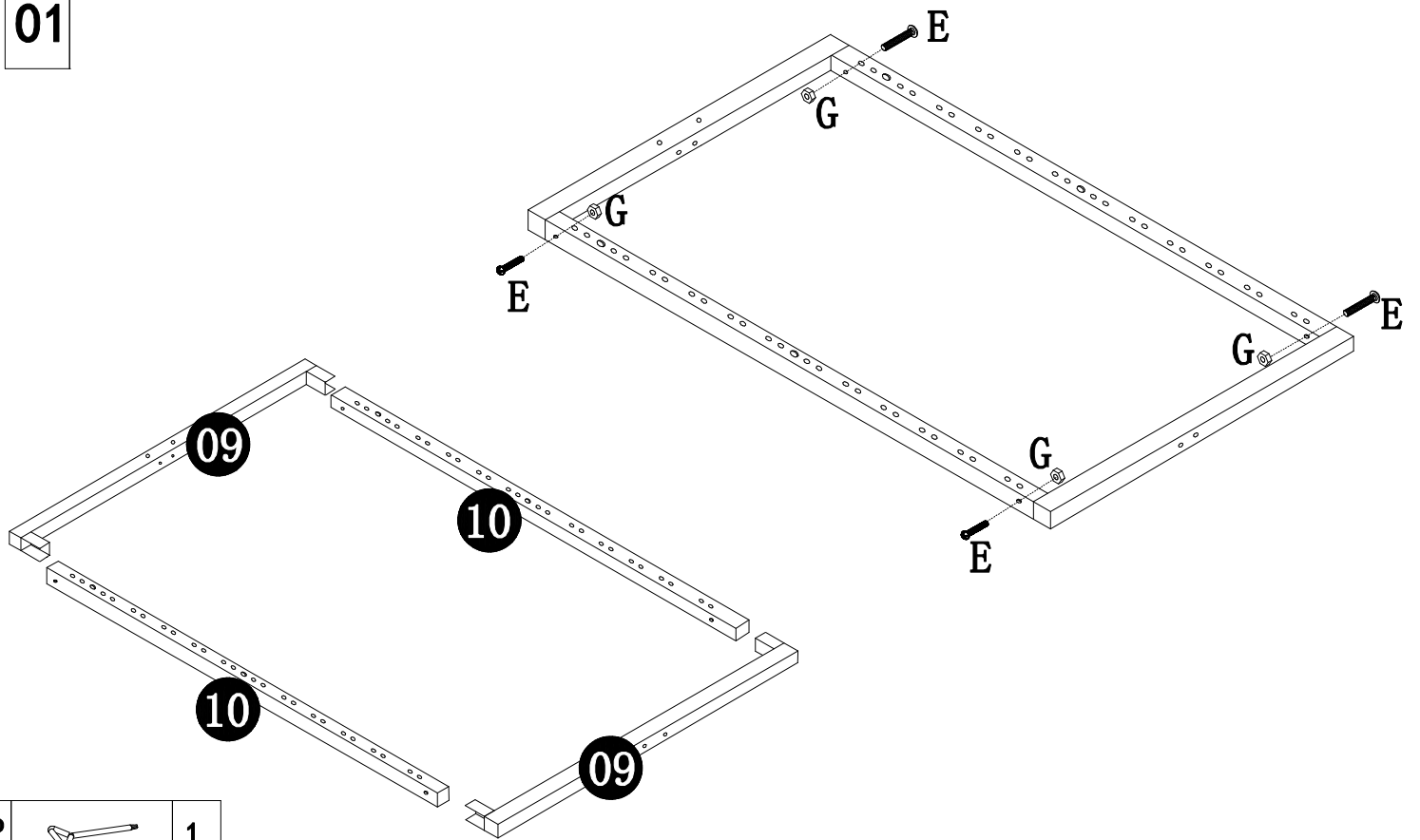



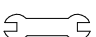
A	 8*20	42
B	 8*50	4
C	 8*40	4
D	 3.5*20	12
E	 8*40	12



F		2
G		14
H		6
I		2
J		4
K		4

L	 26.5cm	2
M		4
N	 2.5cm	4
O		1
P		1
Q		1

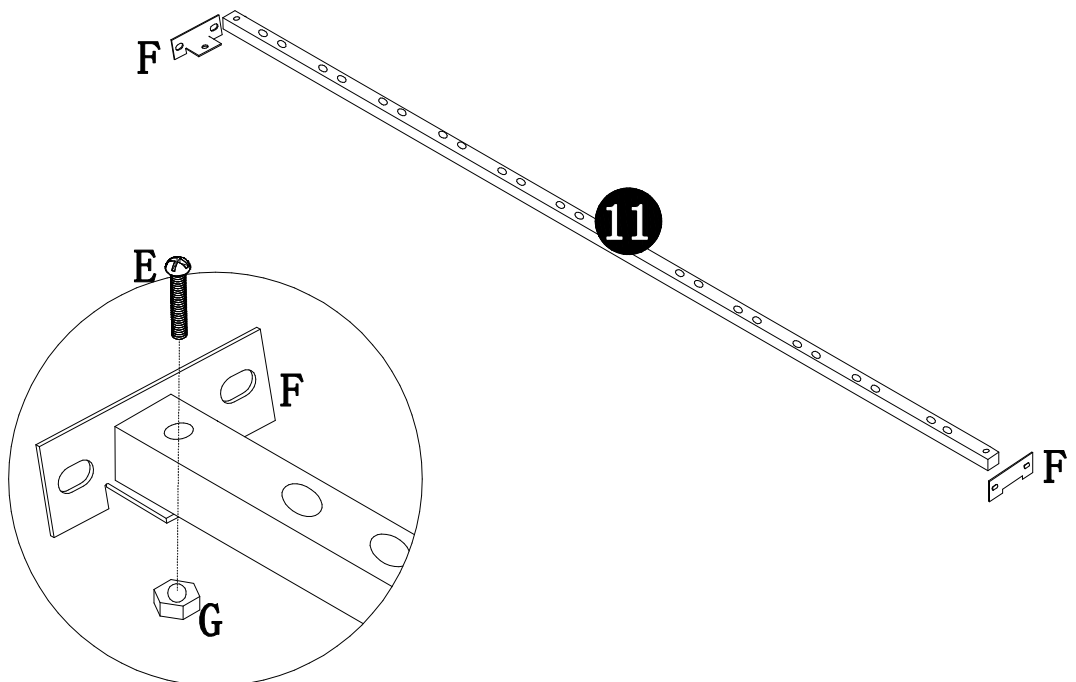
01


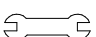





P		1
O		1

G		4	E		4
---	---	---	---	---	---

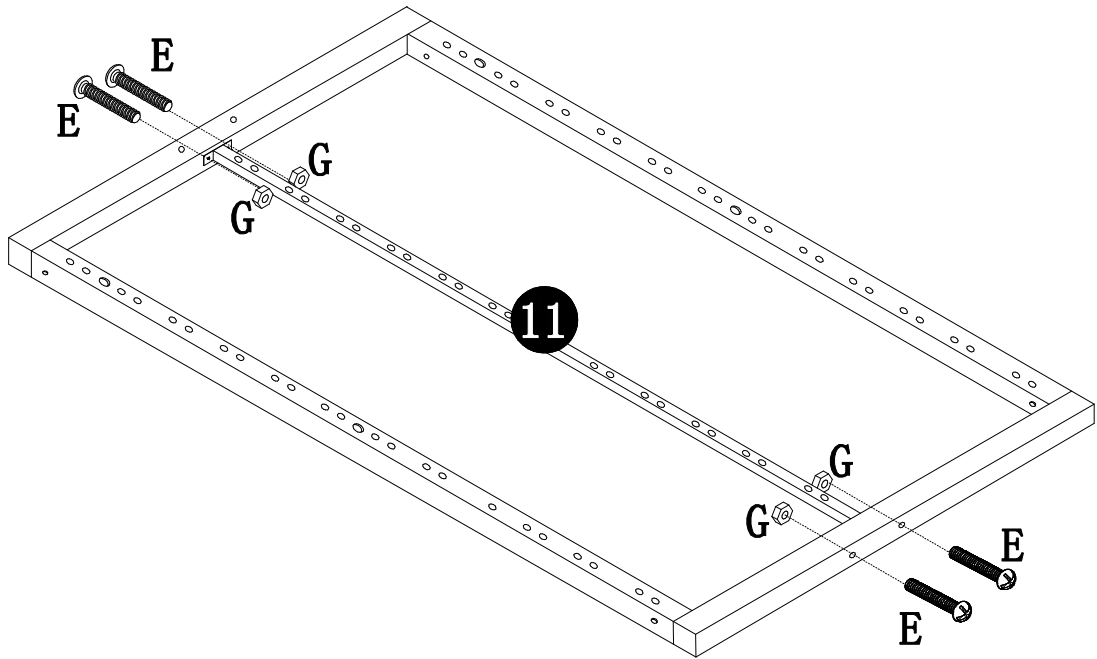
02


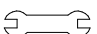




P		1
O		1

G		2	F		2	E		2
---	---	---	---	---	---	---	---	---

03

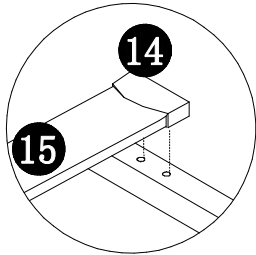
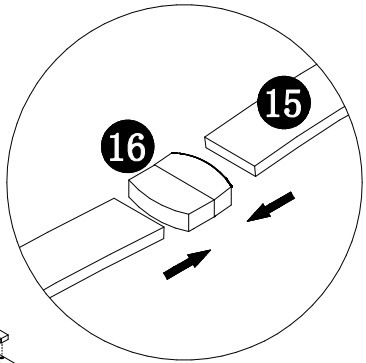
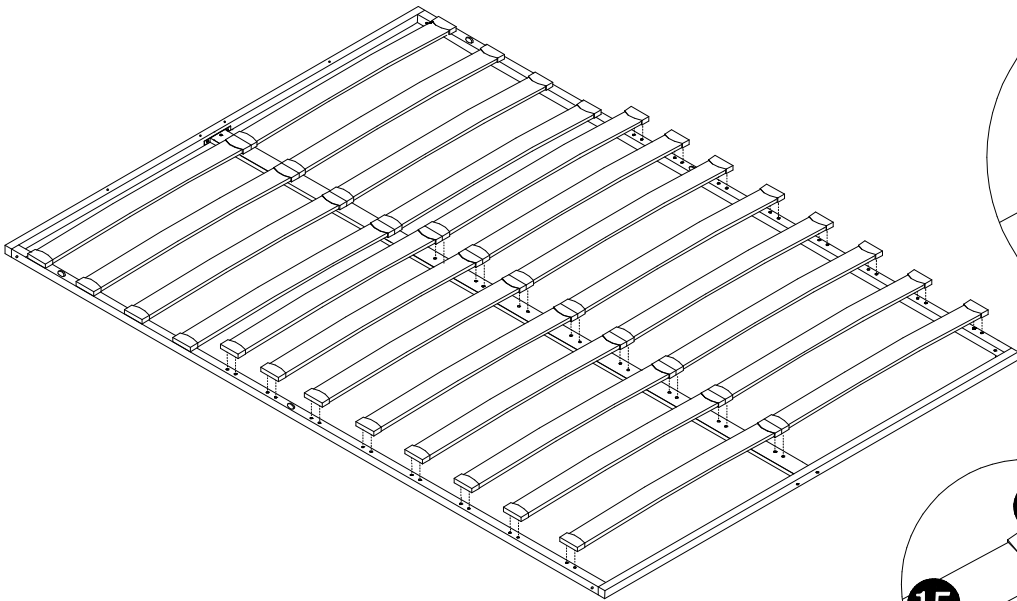


P		1
O		1

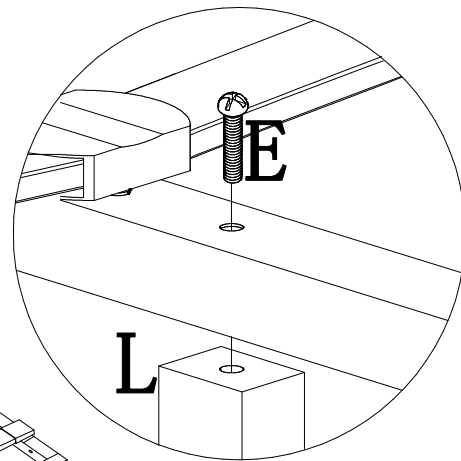
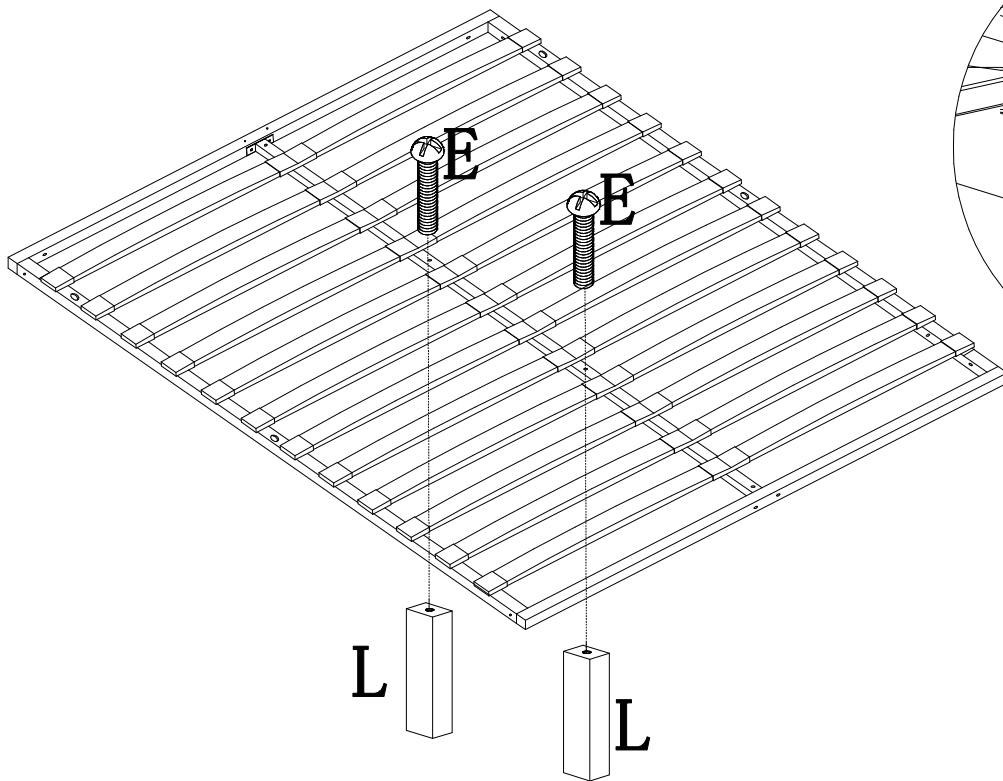
G		4	E		4
---	---	---	---	---	---


B*40

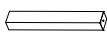

04



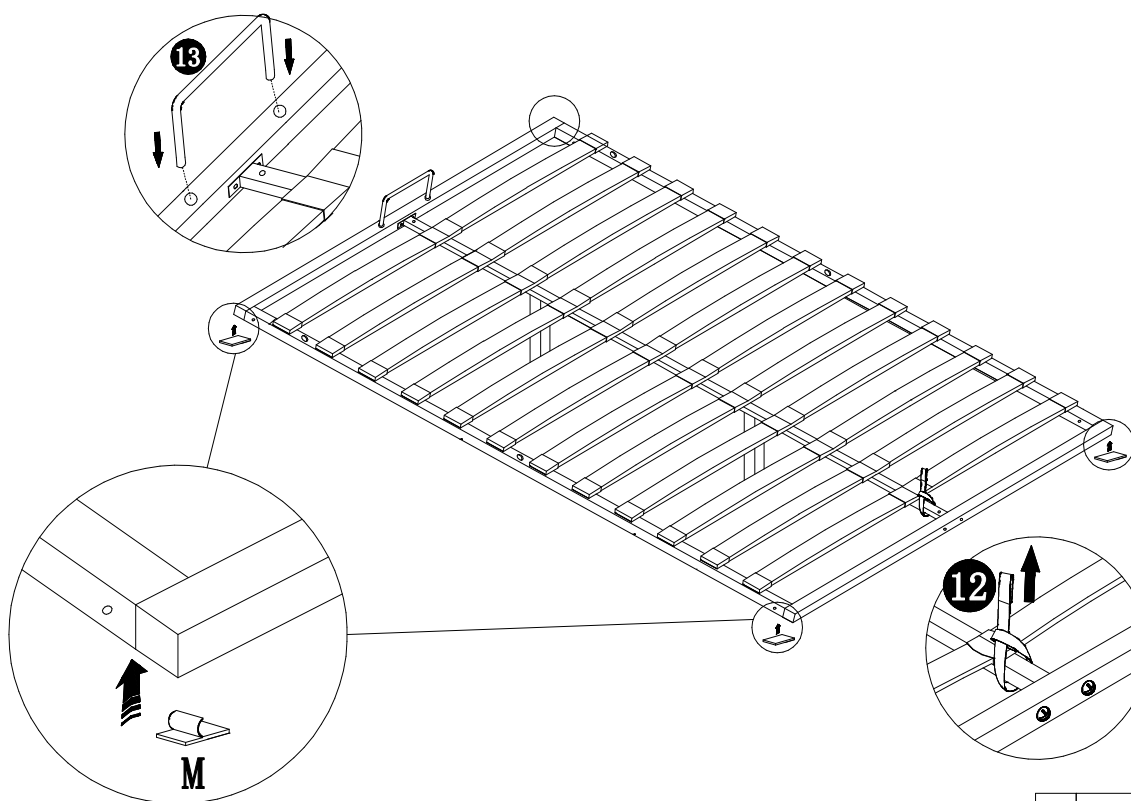
05



P		1
---	--	---

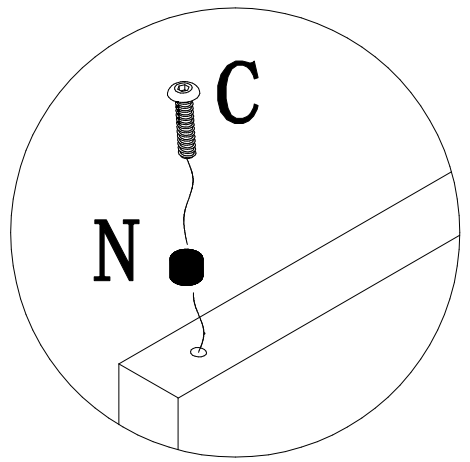
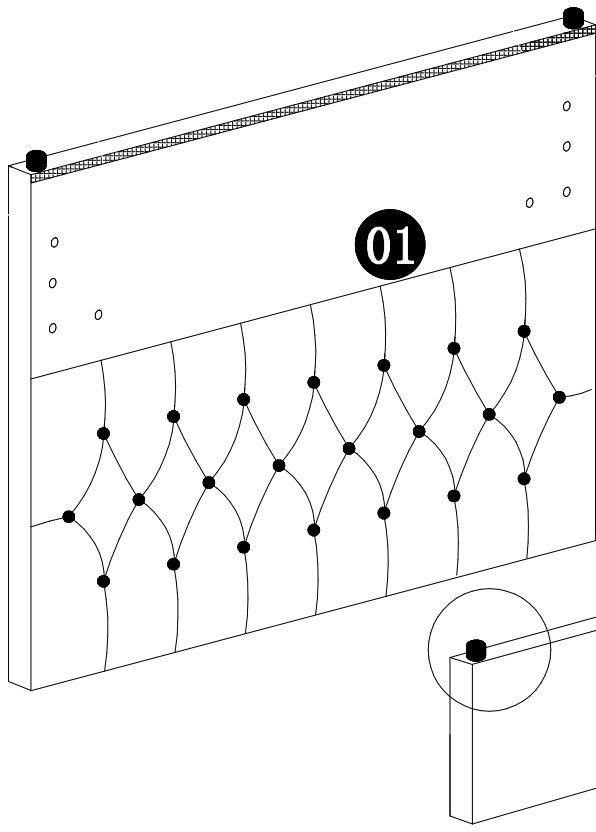
L		2	E		2
	26.5cm			8*40	

06



M		4
---	---	---

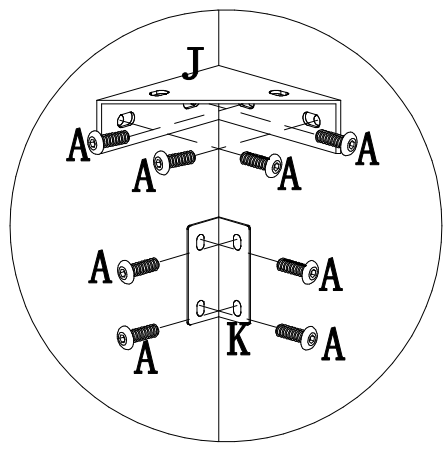
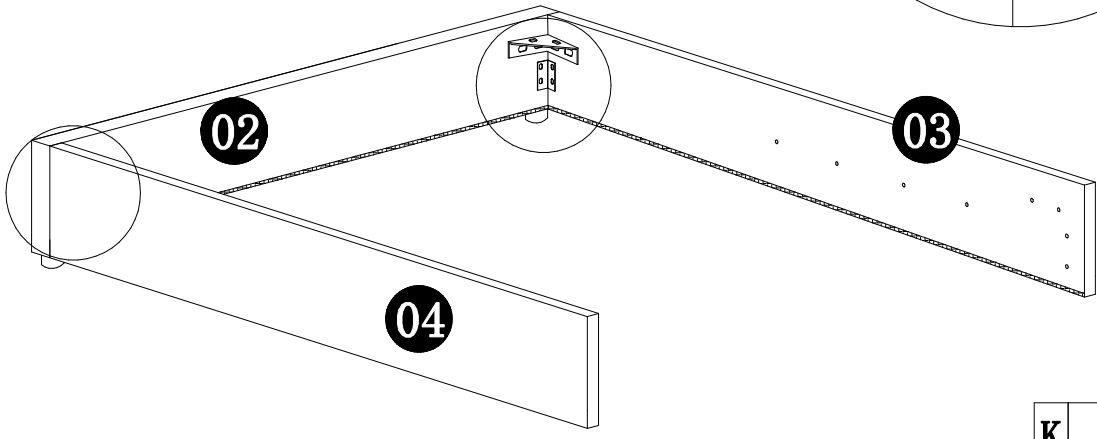
07



Q		1
---	--	---

C		4	N		4
---	--	---	---	--	---

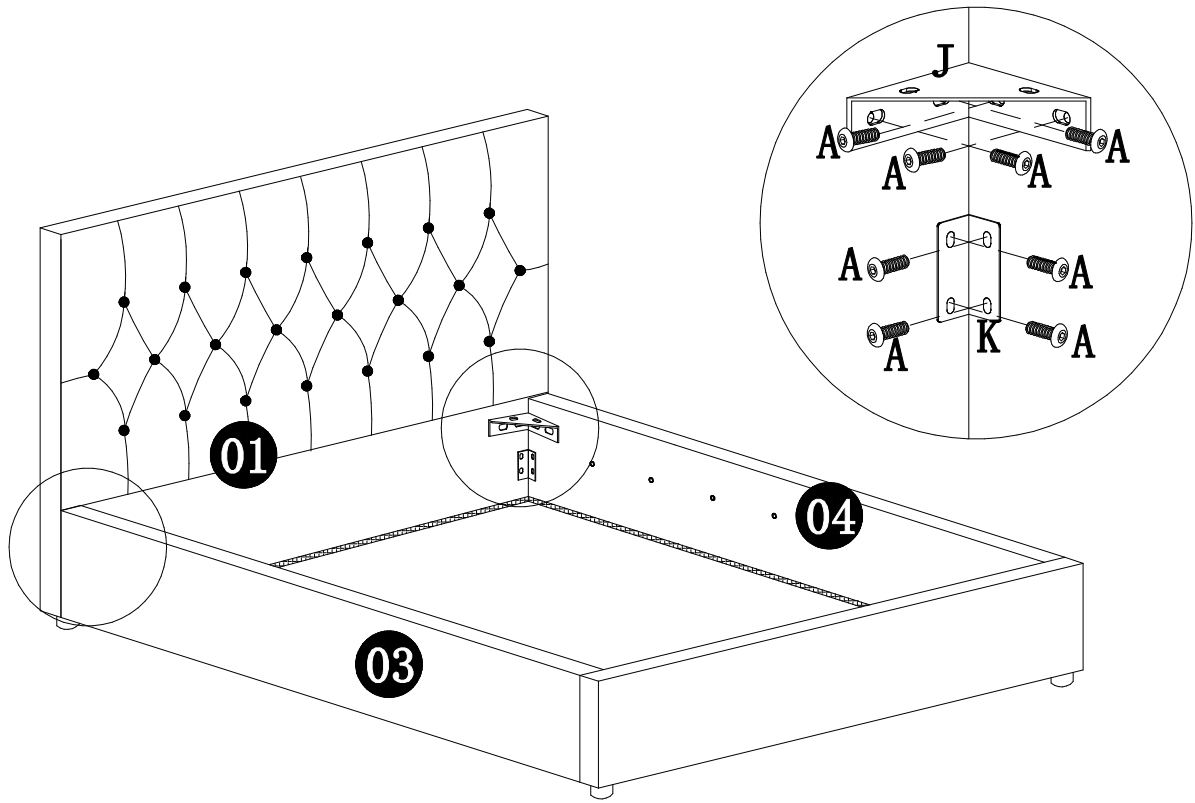
08



Q		1
---	--	---

J		2	K		2
A		16			

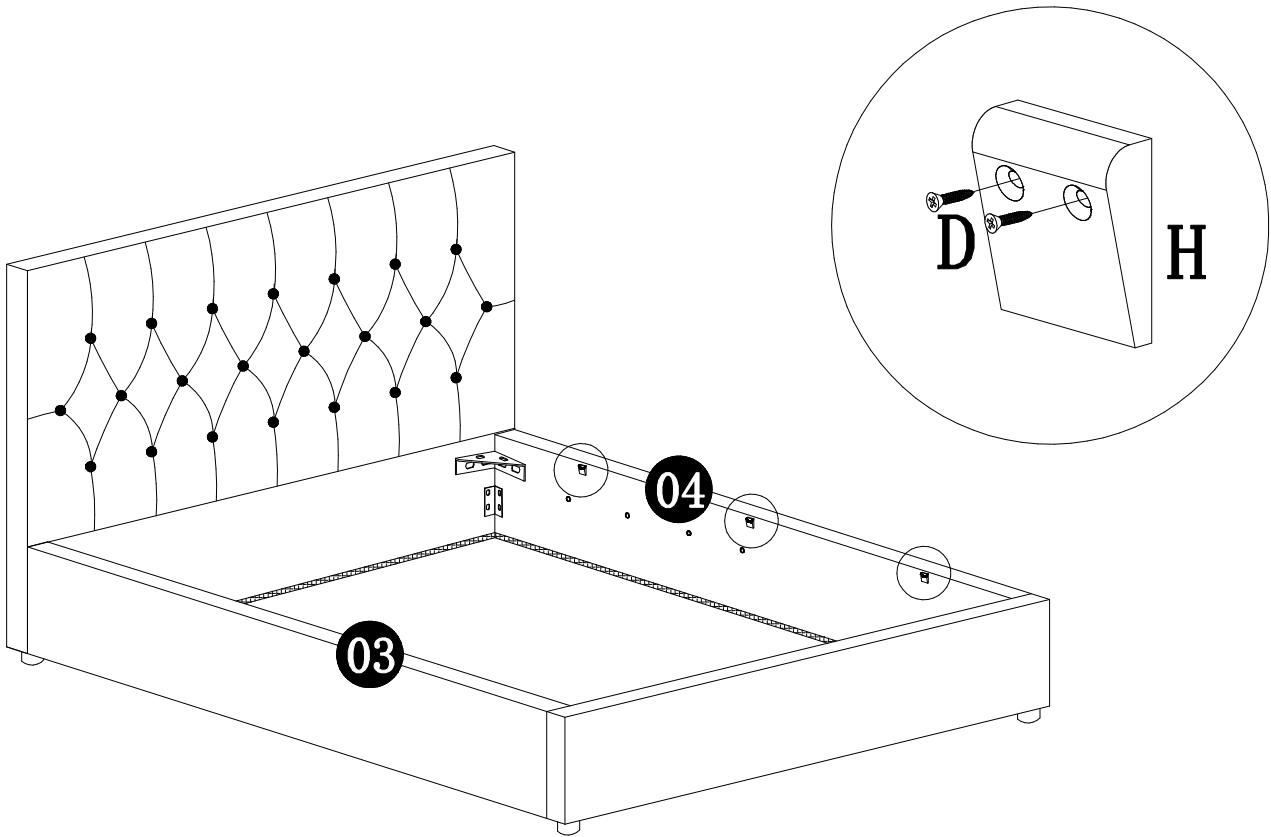
09



Q		1
---	--	---

J		2	K		2
			A		16

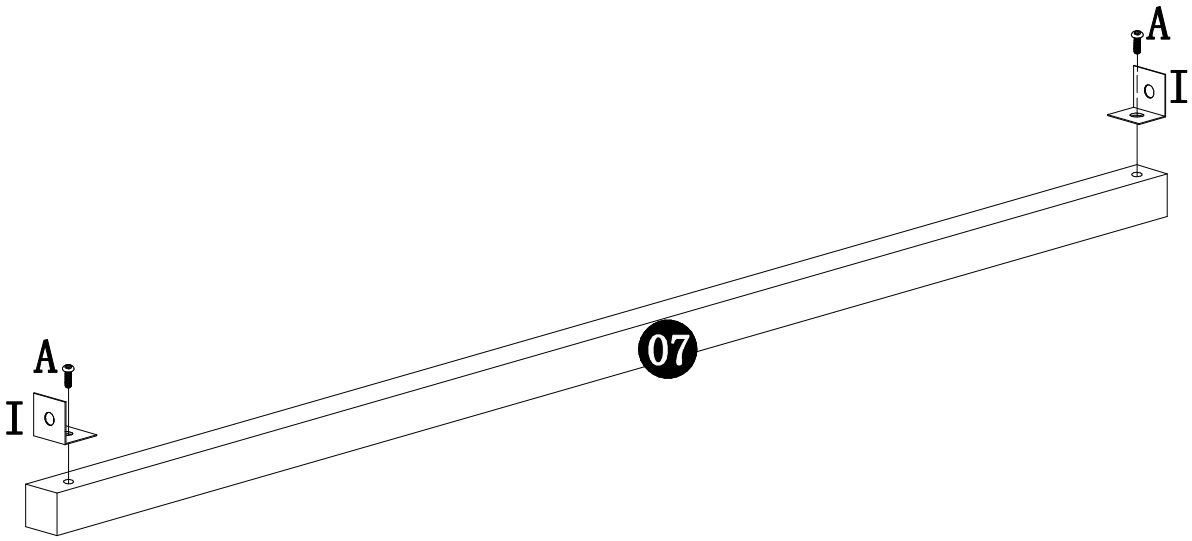
10



P		1
---	--	---

H		6
D		12

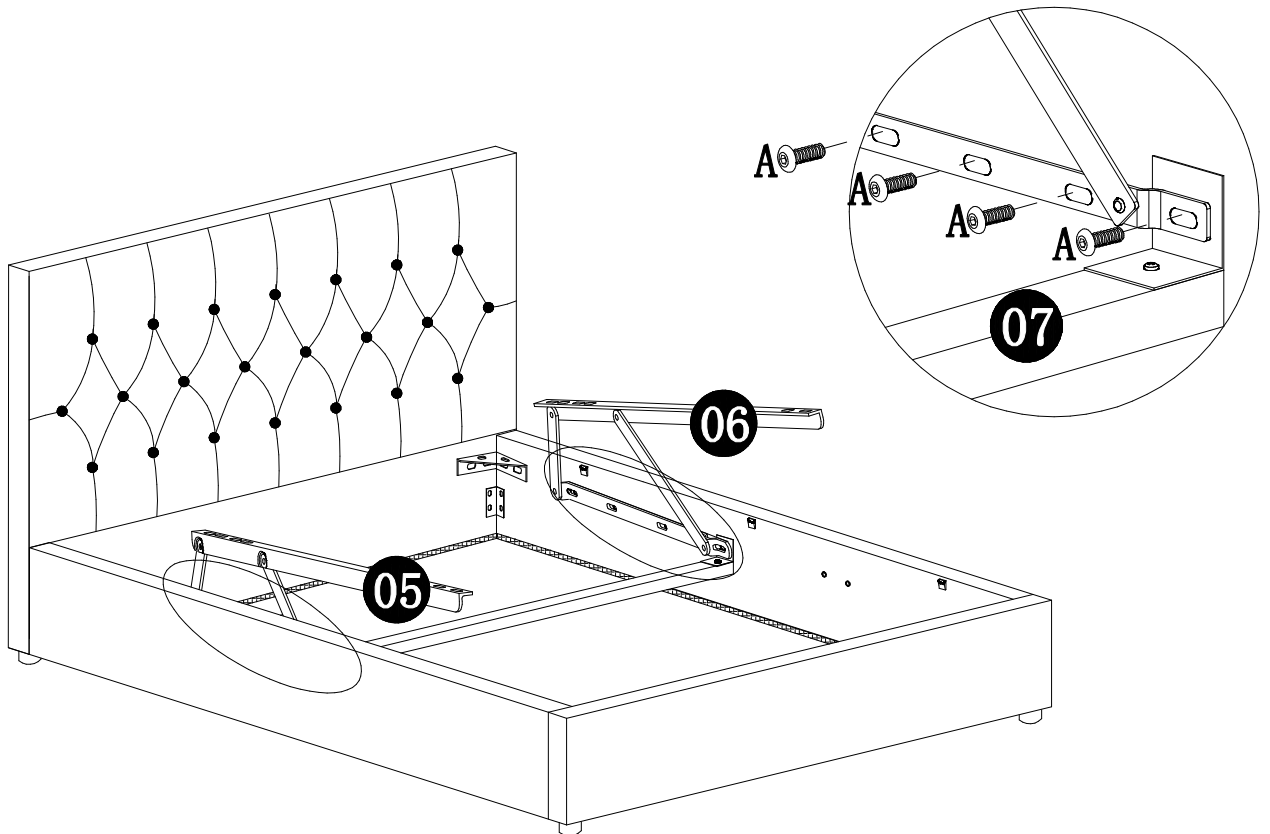
11



Q		1
---	--	---

I		2
A		2

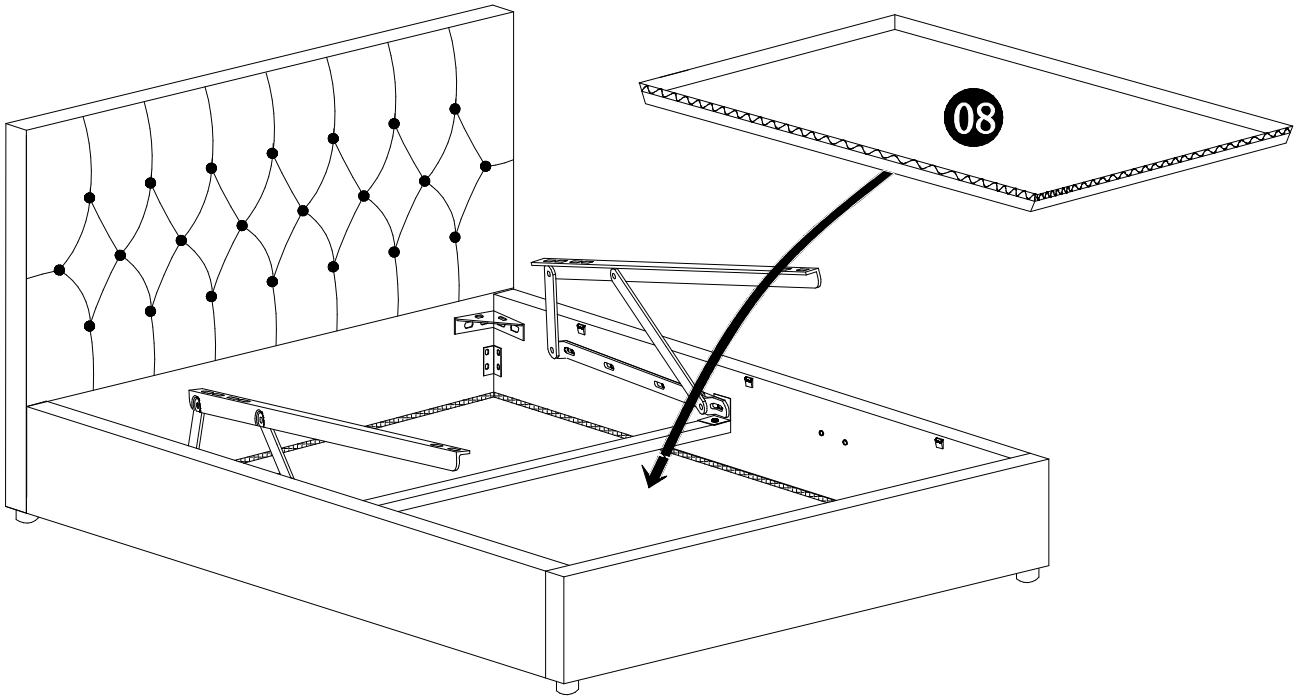
12



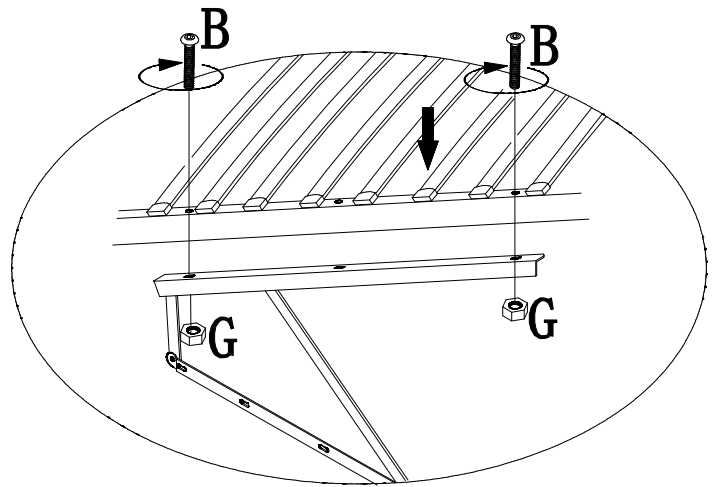
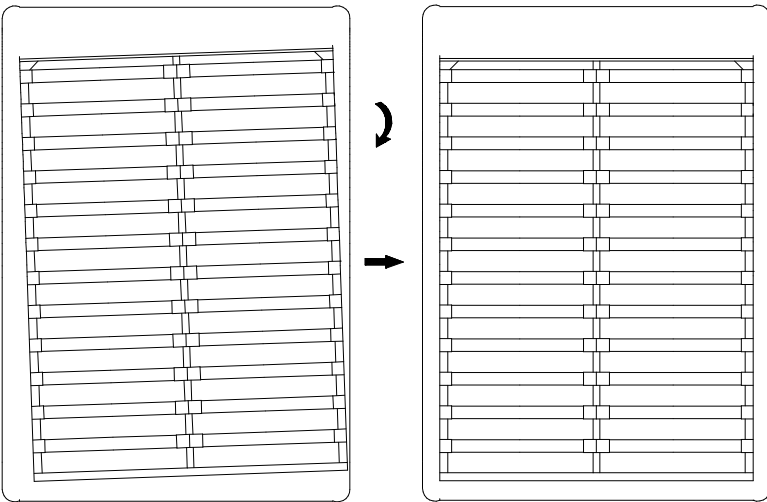
Q		1
---	--	---

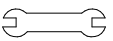

A		8
---	--	---



13



14

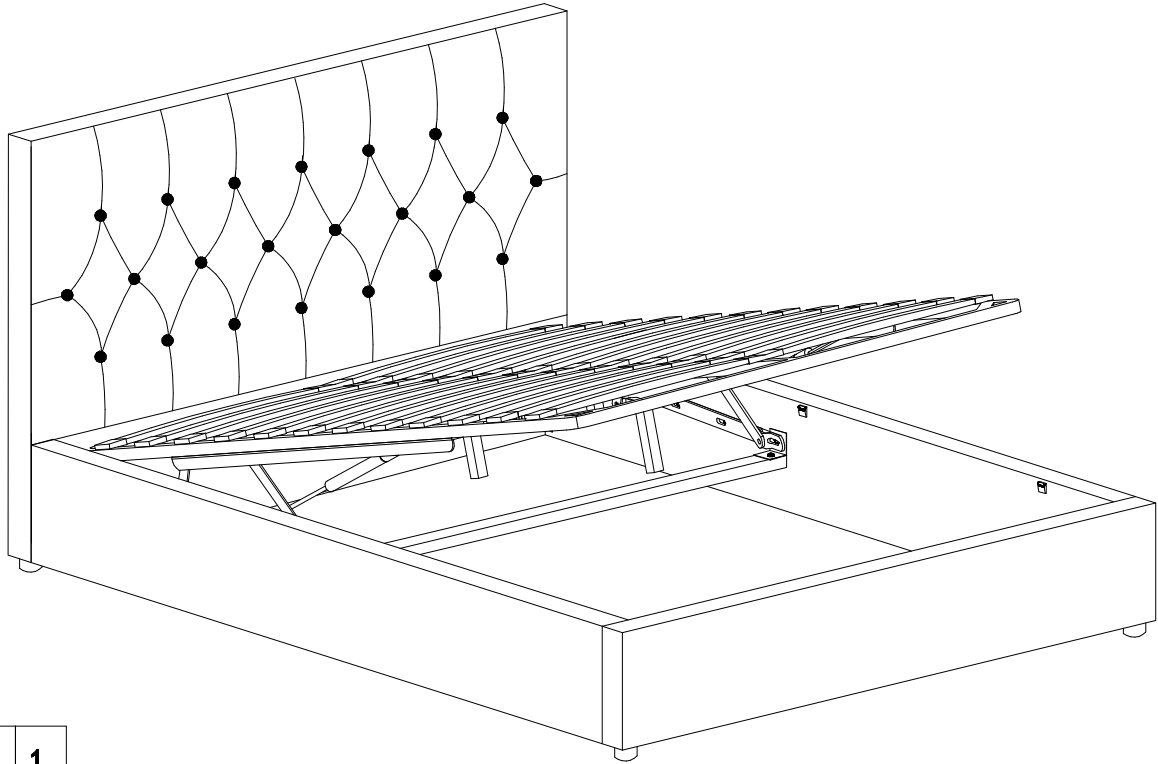
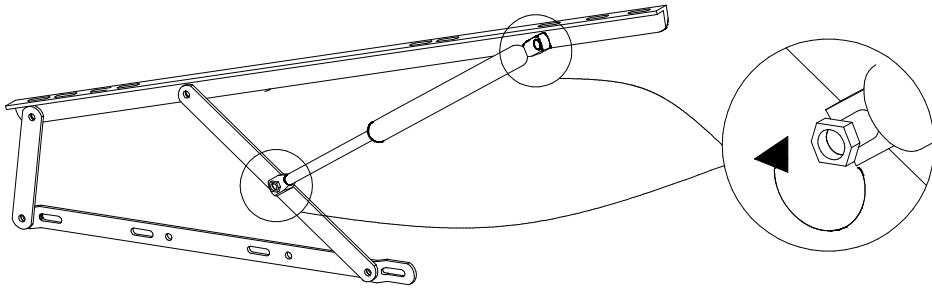


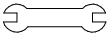
O		1
Q		1

G		4
B		4

B*50

15



0  1

16

