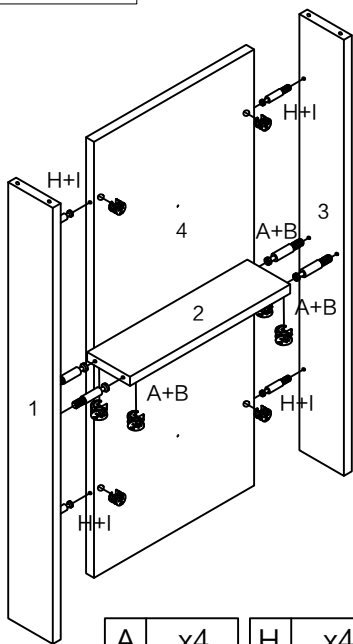


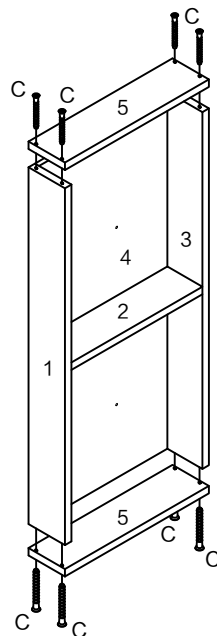
1 x1	2 x1	3 x1	4 x1	5 x2	6 x1
7 x1	8 x1	9 x1	10 x1	11 x1	12 x1
13 x1	14 x1	15 x1	16 x1	17 x1	18 x1
A x24	B x24	C (6.3X50) x16	D x6	E (3.5X12) x41	F x5
G x12		H x4		I x4	

Step 1



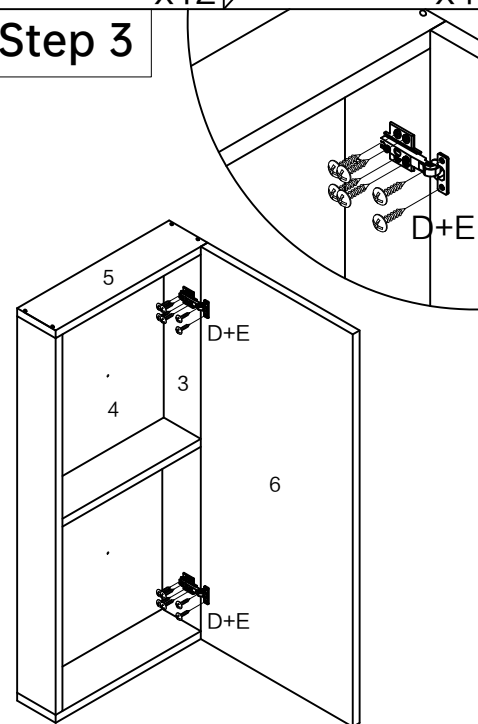
A	x4	H	x4
B	x4	I	x4

Step 2



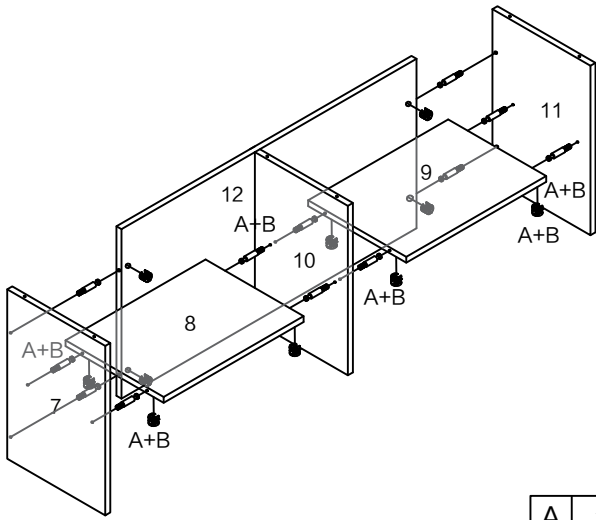
C	x8
---	----

Step 3



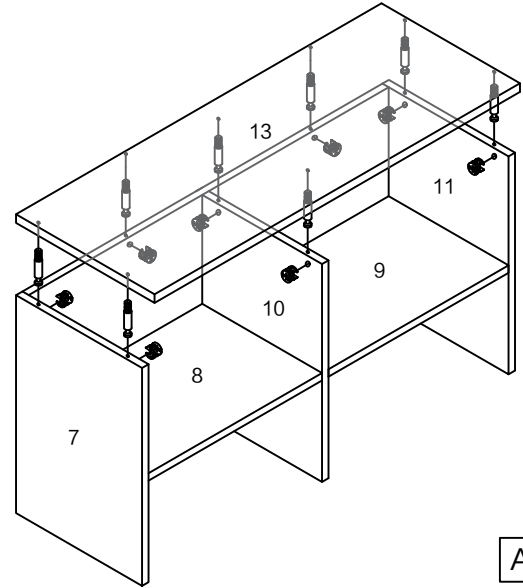
E	x12
---	-----

Step 4



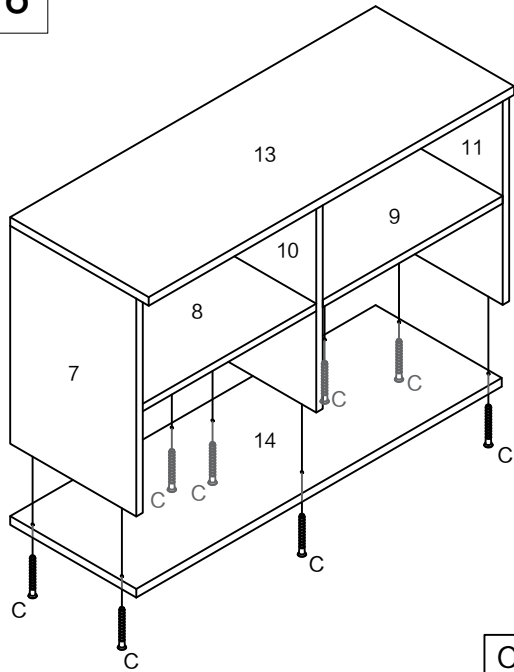
A	x12
B	x12

Step 5



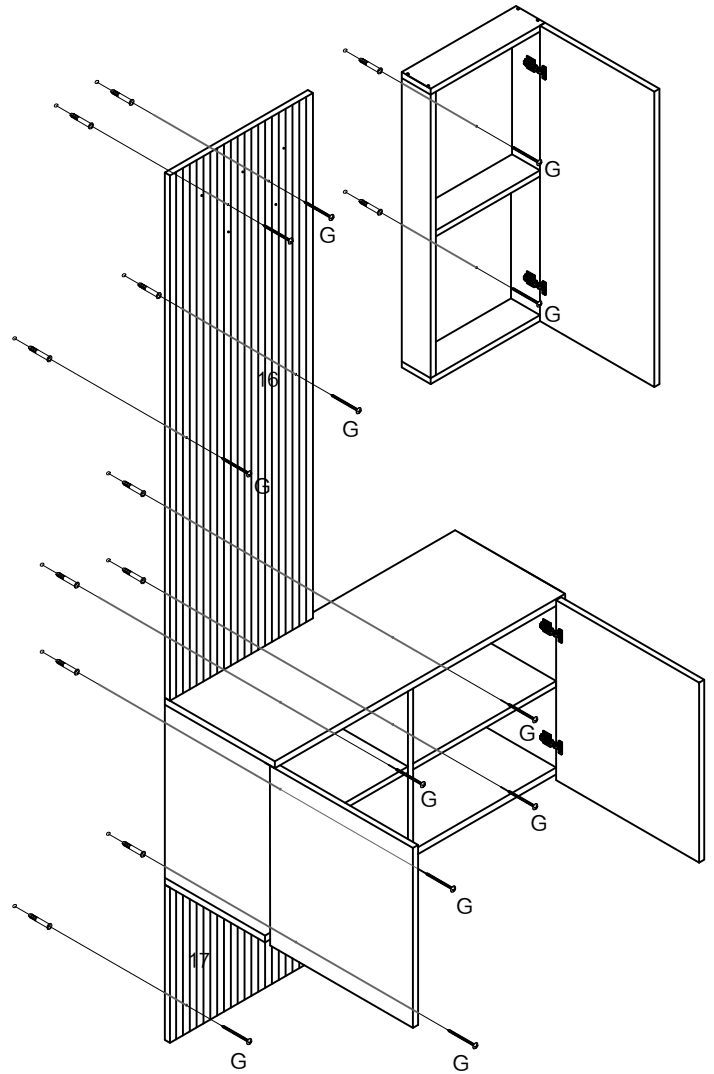
A	x8
B	x8

Step 6



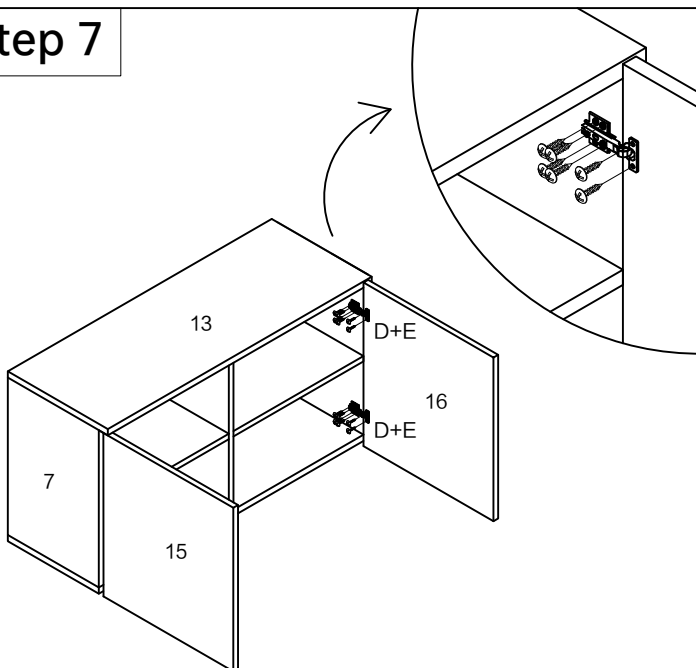
C	x8
---	----

Step 8



G	x12
---	-----

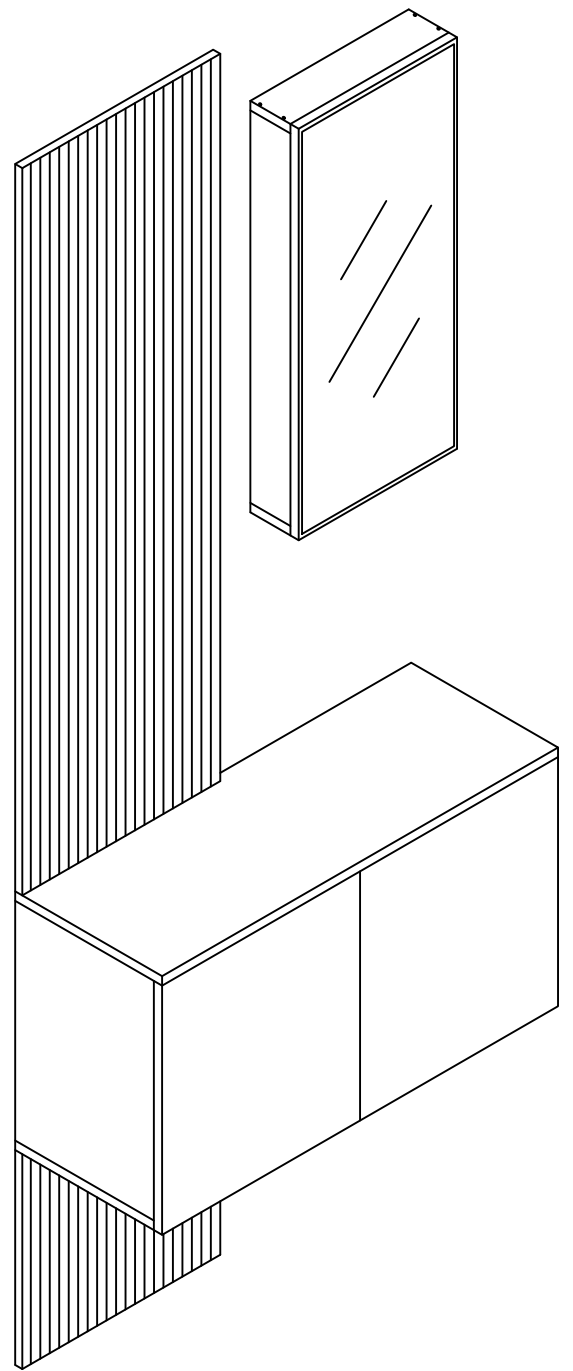
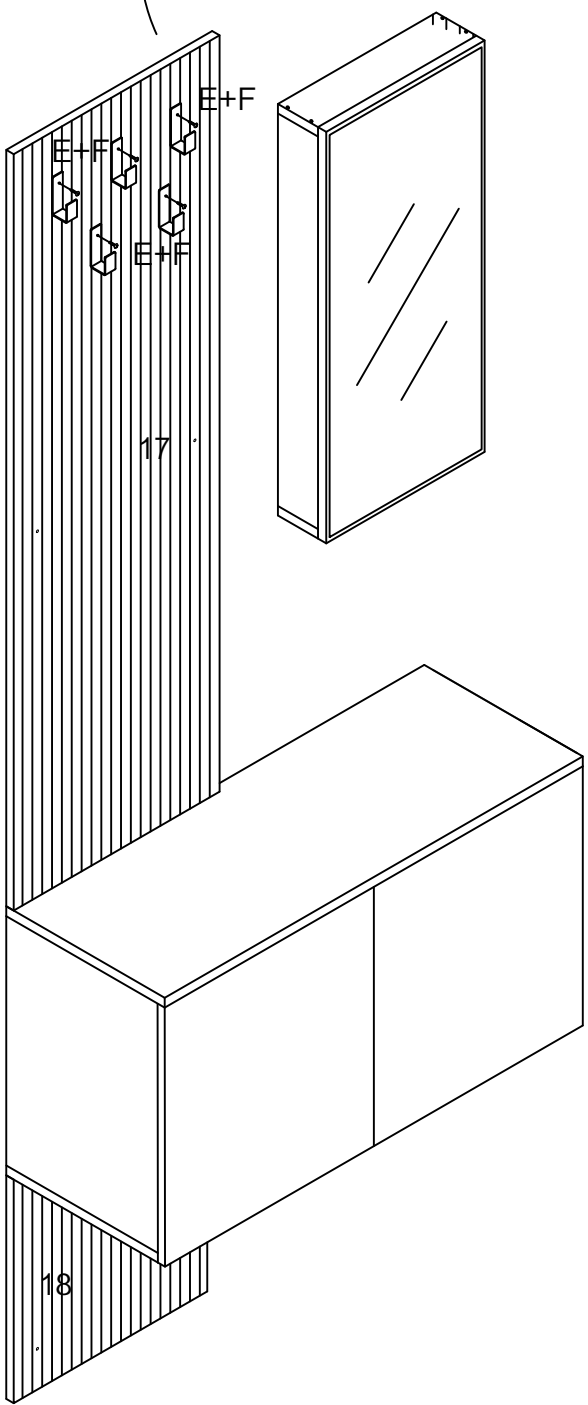
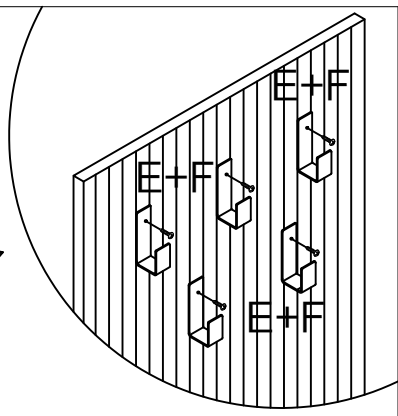
Step 7



E	x24
---	-----

Step 9

Complete



E x5