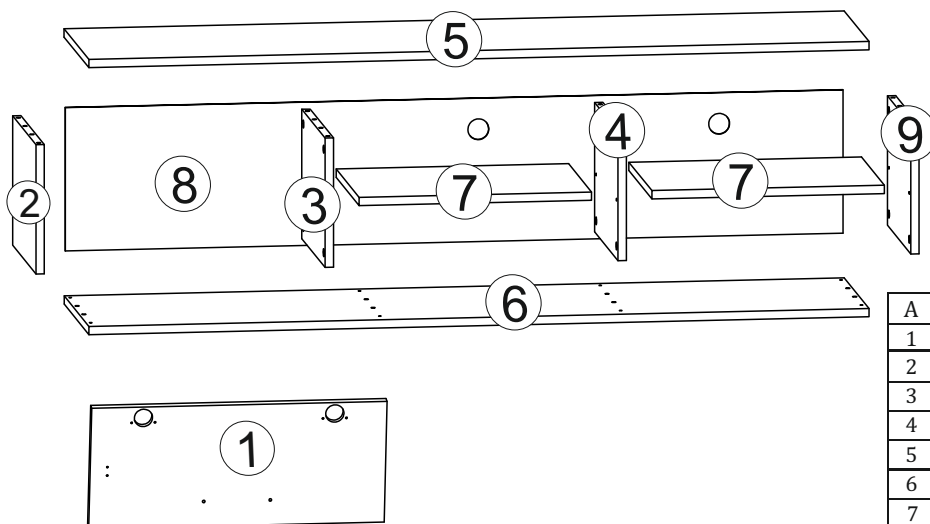
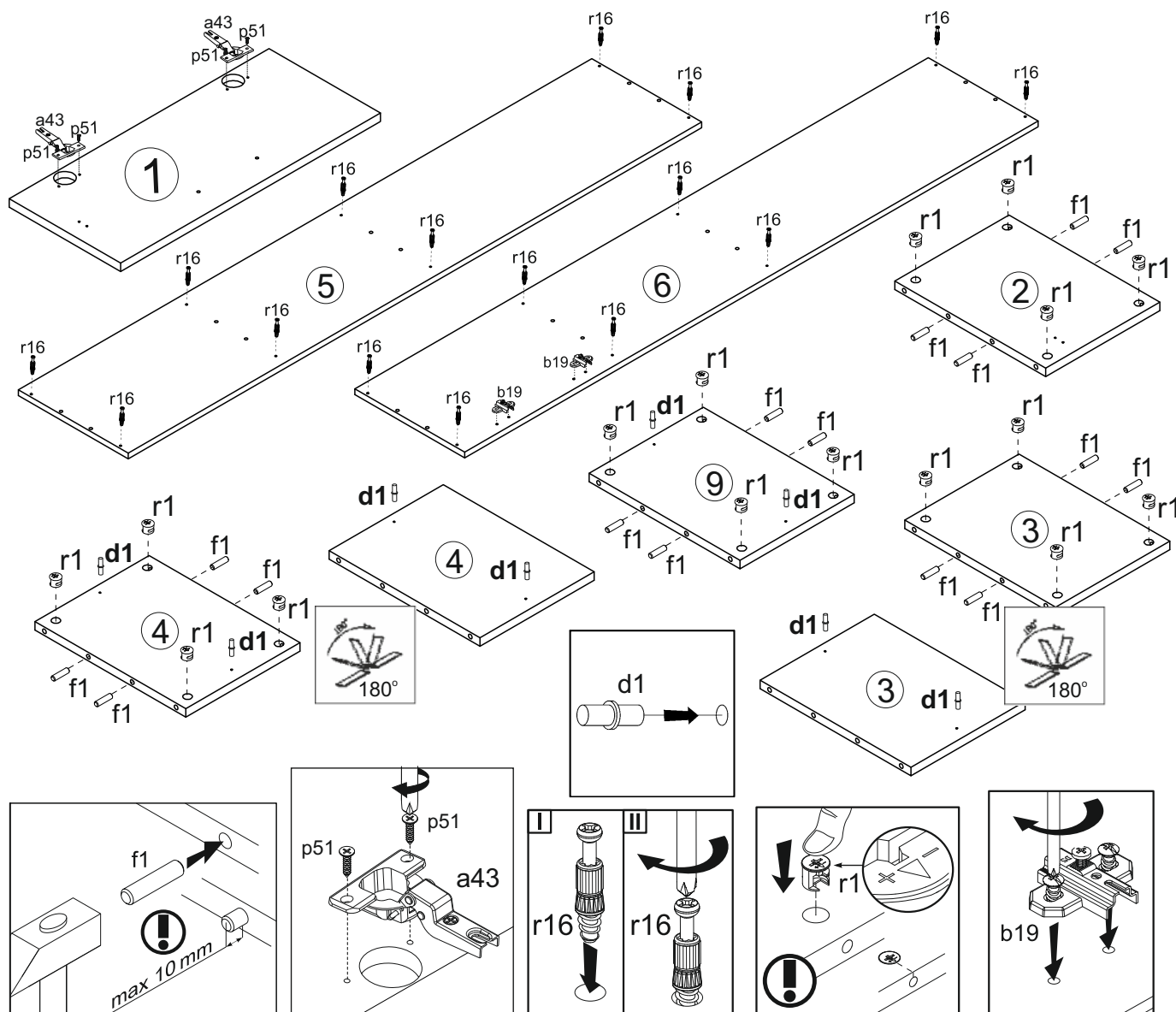


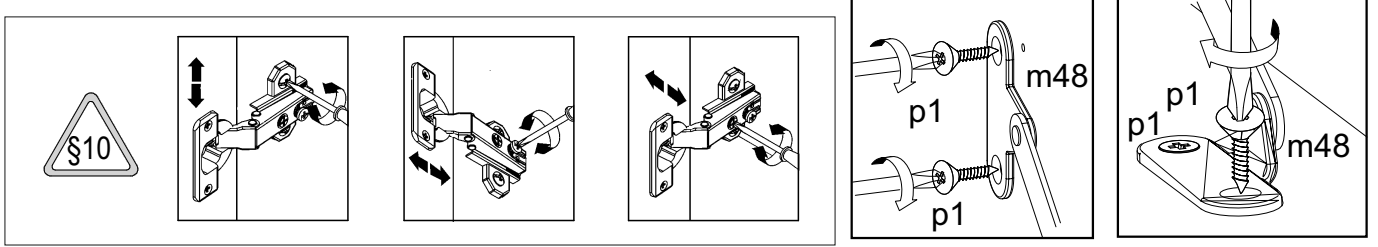
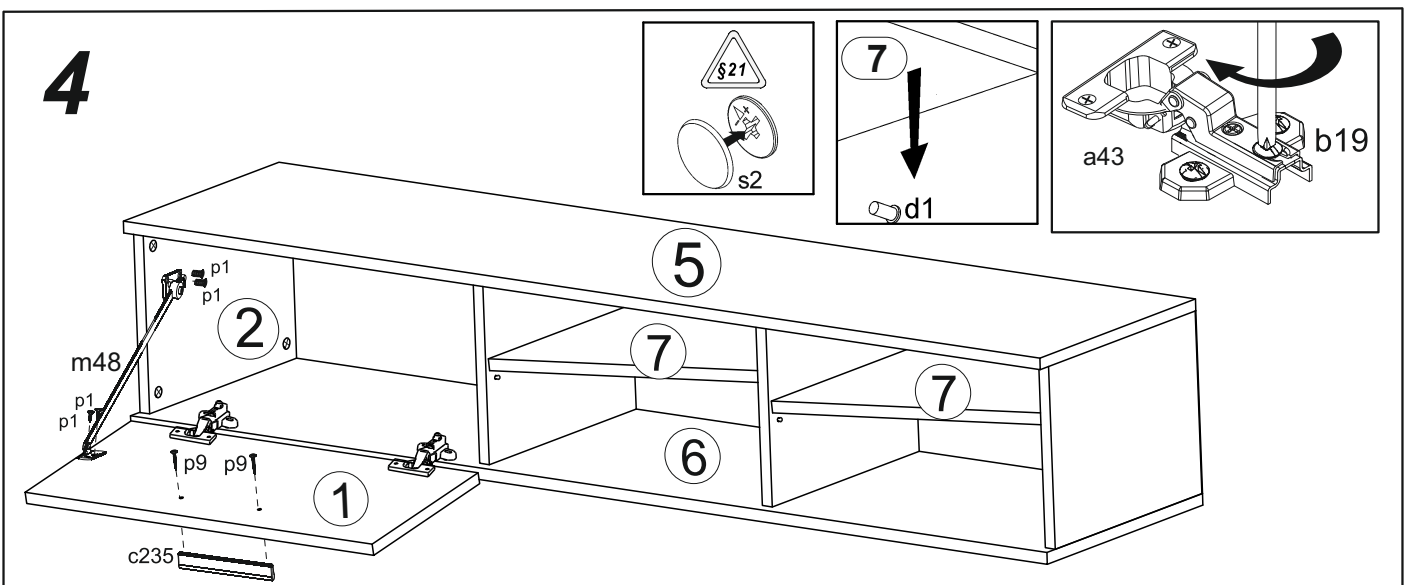
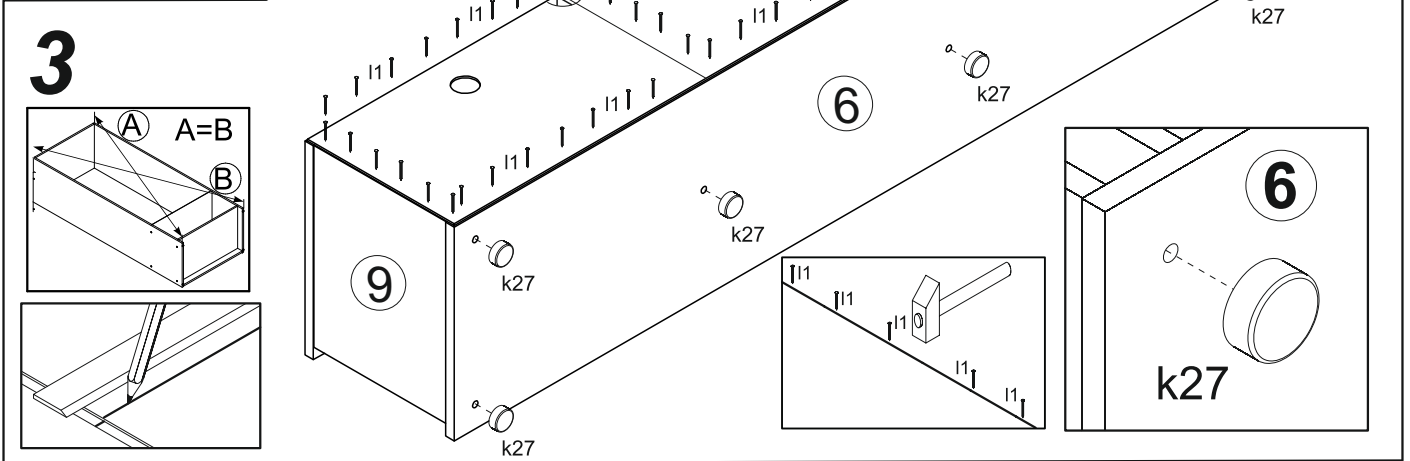
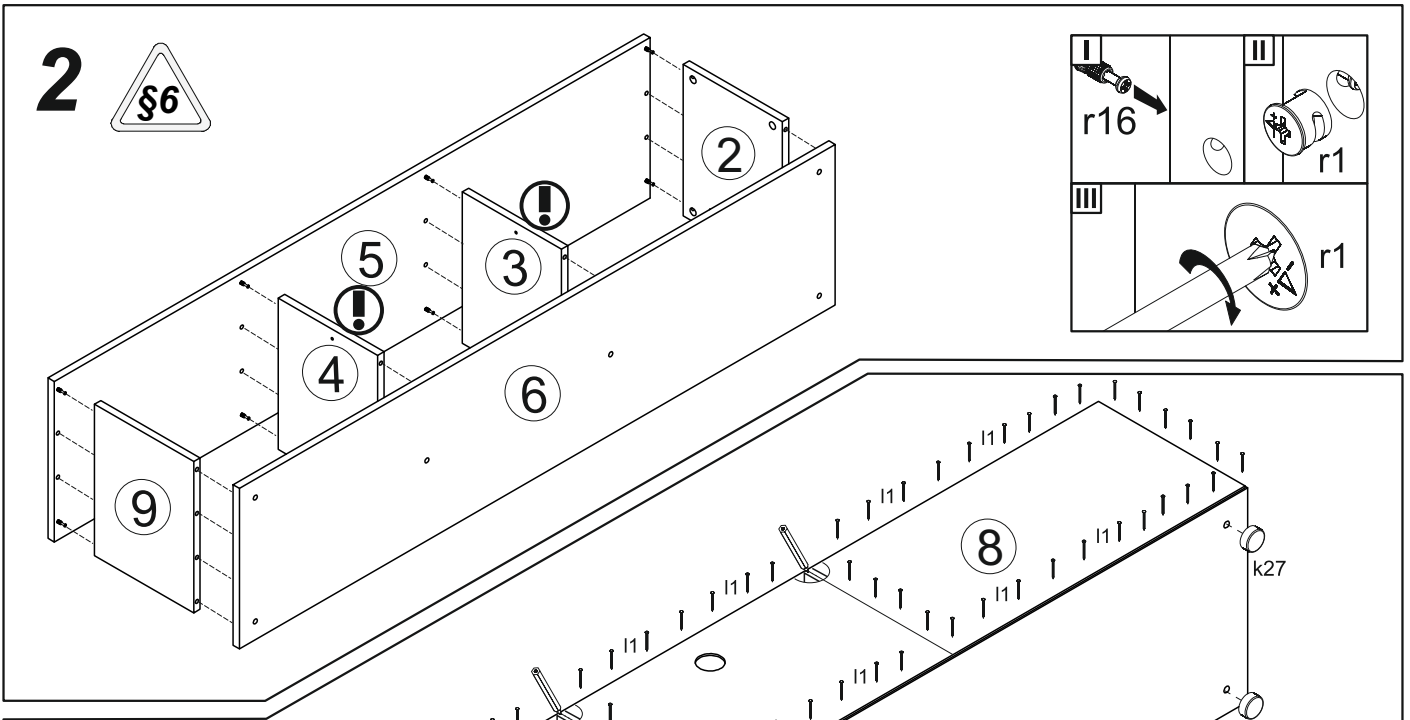
I

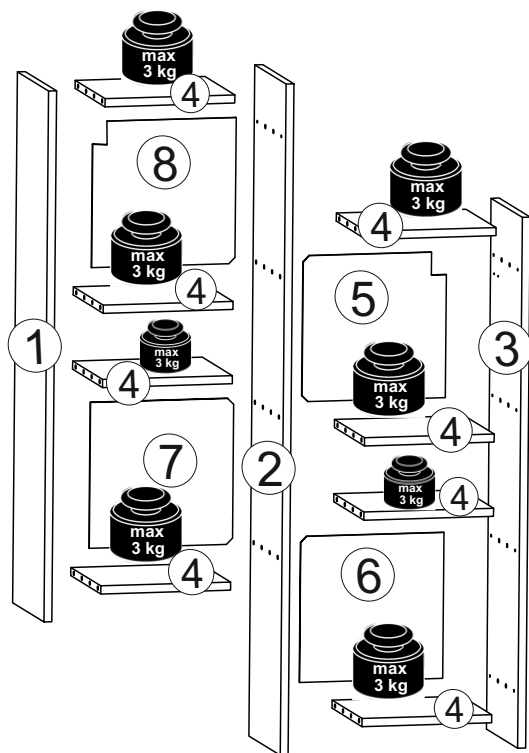


A	B	C	D	
1	RB1-001	568	244	1/2
2	RB1-101	330	250	1/2
3	RB1-102	330	250	1/2
4	RB1-103	330	250	1/2
5	RB1-201	1500	350	1/2
6	RB1-202	1500	350	1/2
7	RB1-301	447	324	1/2
8	RB1-901	1495	277	1/2
9	RB1-107	330	250	1/2

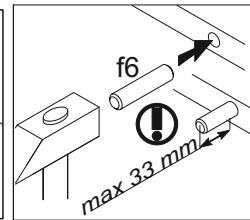
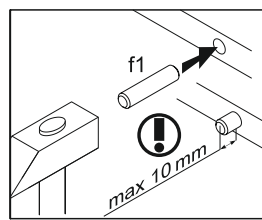
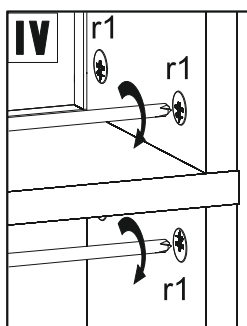
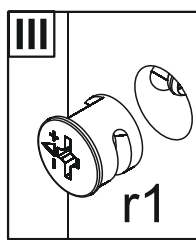
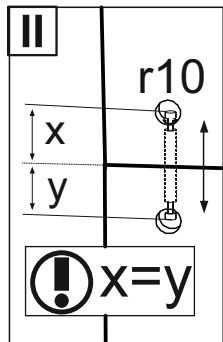
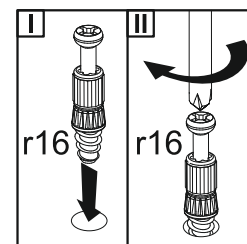
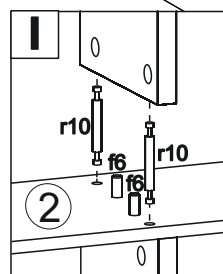
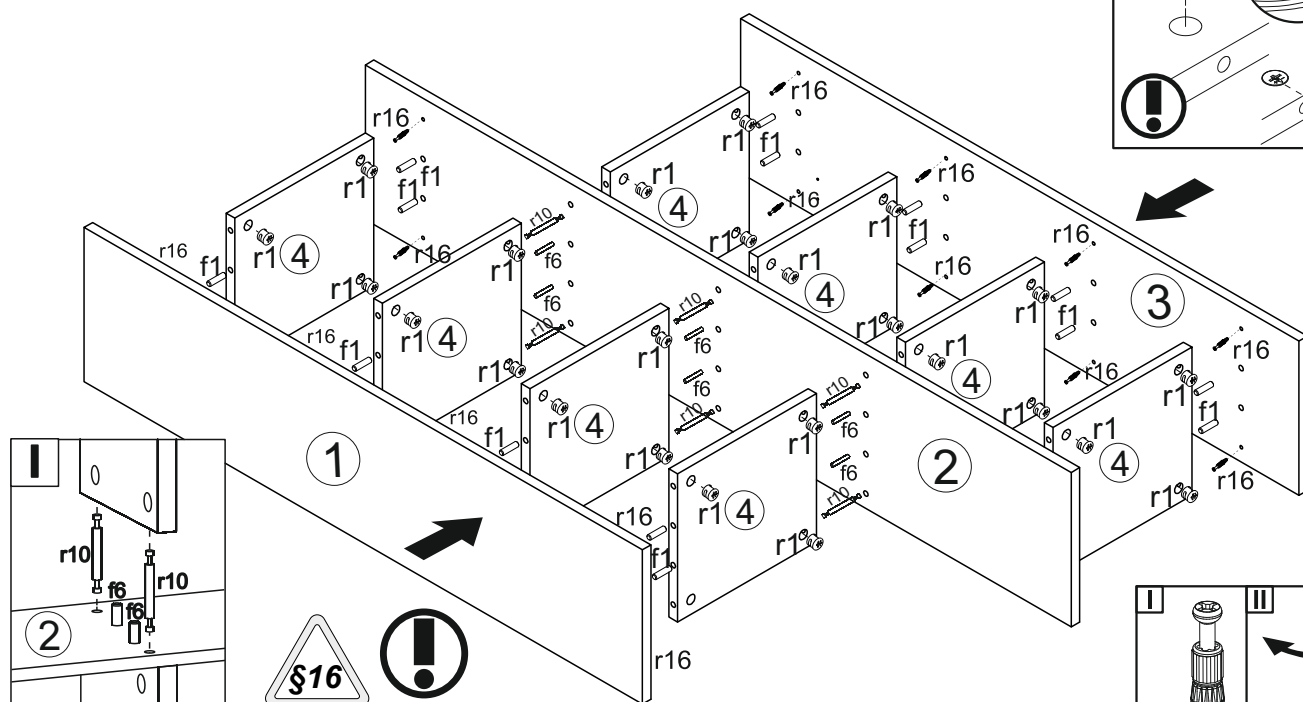
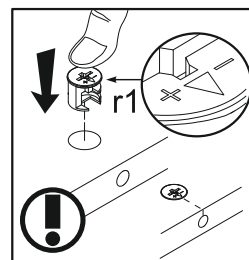
1



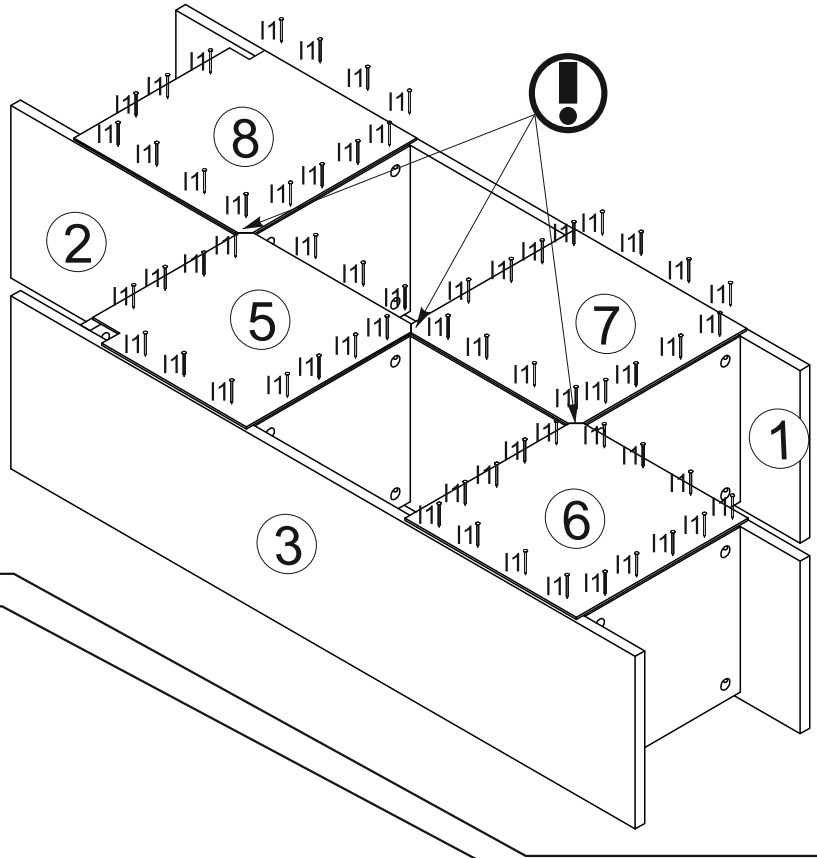
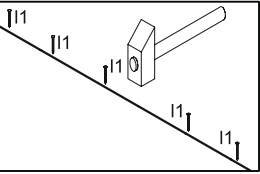
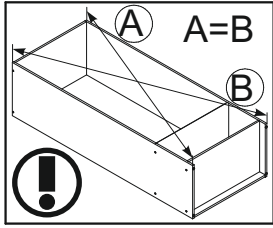




A	B	C	D
1	RB1-104	1044	250 2/2
2	RB1-105	1320	250 2/2
3	RB1-106	1044	250 2/2
4	RB1-302	260	240 2/2
5	RB1-902	287	287 2/2
6	RB1-905	287	287 2/2
7	RB1-904	287	287 2/2
8	RB1-903	287	287 2/2



2



3

