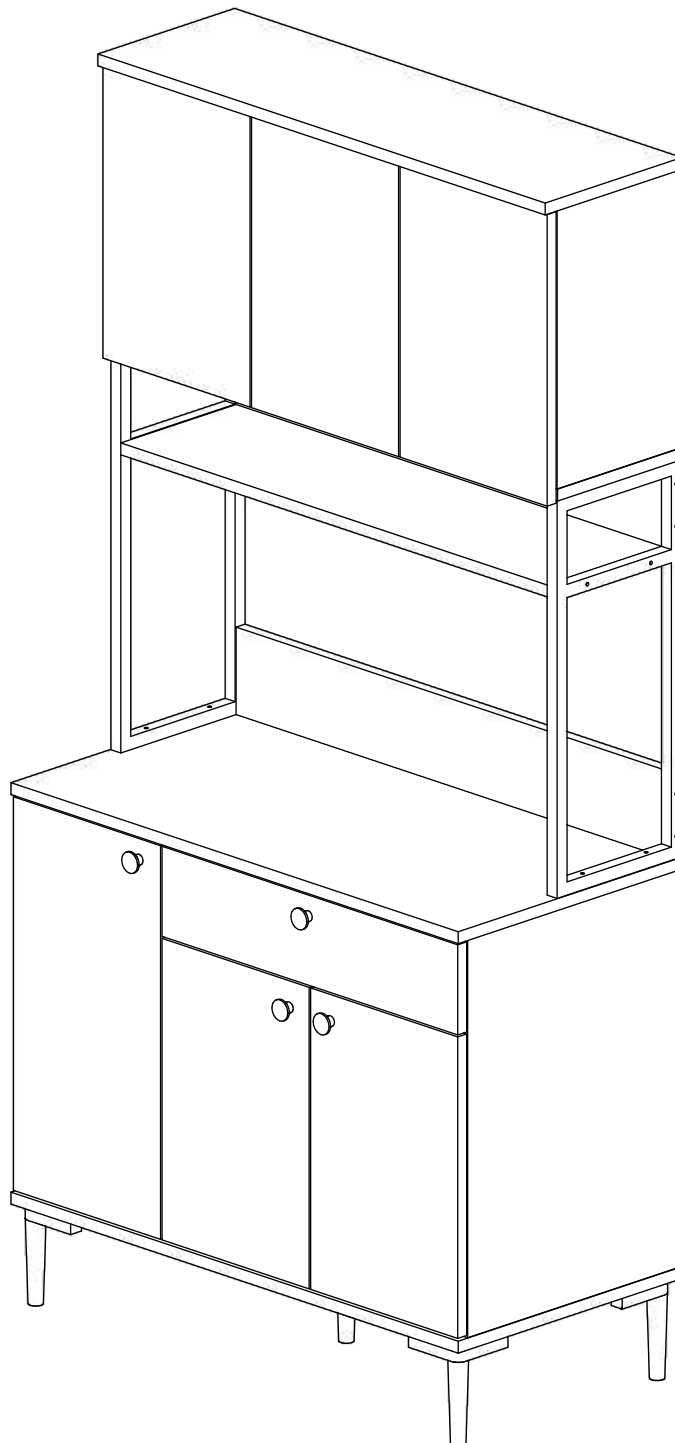





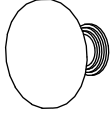


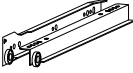
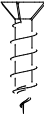
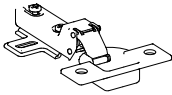

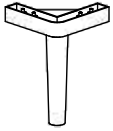
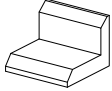



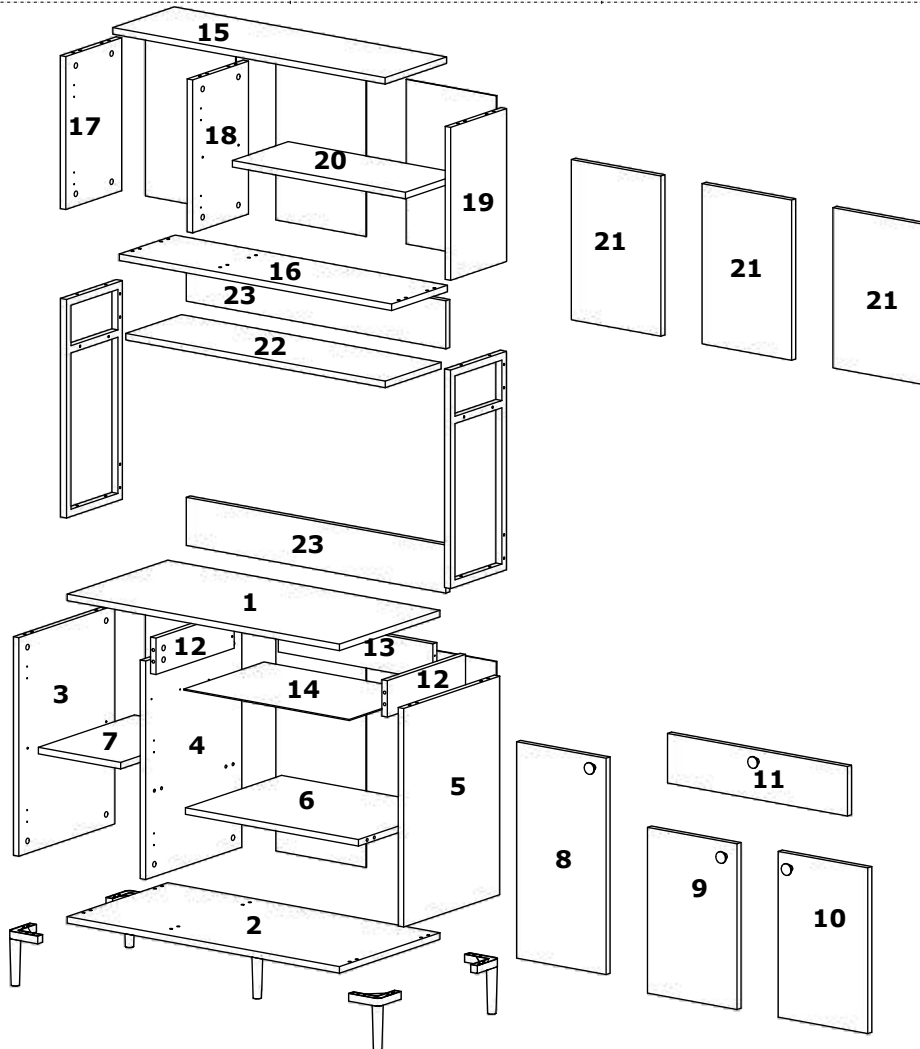
# STATION

## Assembly / Installation

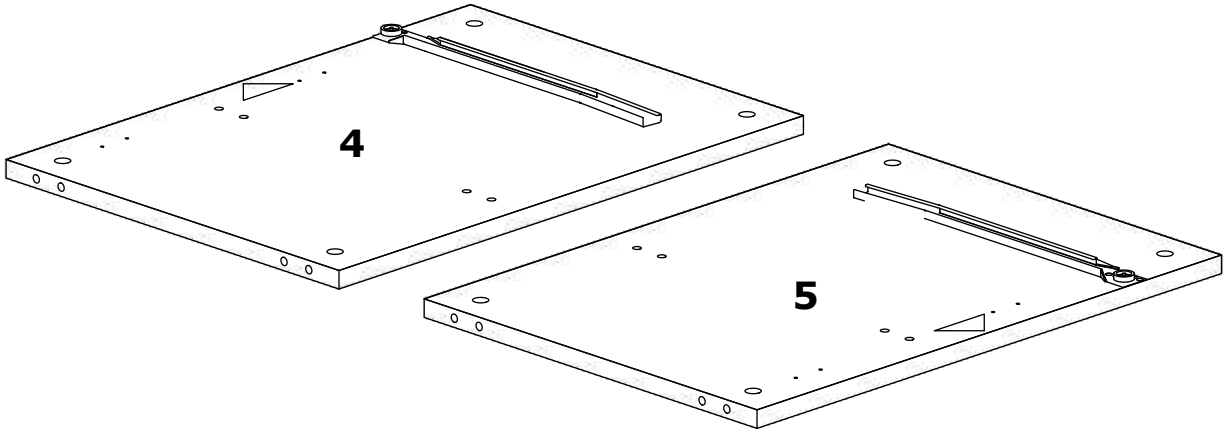
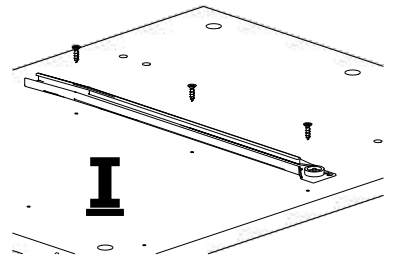


# TOOLS & INSTALLATION COMPONENTS

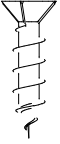
<p><b>A</b> MINIFIX SCREW</p>  <p>32 PCS</p>	<p><b>B</b> MINIFIX HEAD</p>  <p>32 PCS</p>	<p><b>C</b> DOWEL</p>  <p>32 PCS</p>	<p><b>D</b> 4*50 SCREW</p>  <p>28 PCS</p>	<p><b>E</b> ANCHOR</p>  <p>4 PCS</p>
<p><b>F</b> HANDLE</p>  <p>4 PCS</p>	<p><b>G</b> 4*30 SCREW</p>  <p>4 PCS</p>	<p><b>H</b> NAIL</p>  <p>100 PCS</p>	<p><b>I</b> SLIDE</p>  <p>1 PCS</p>	<p><b>J</b> 3,5*18 SCREW</p>  <p>90 PCS</p>
<p><b>K</b> INSET HINGE</p>  <p>4 PCS</p>	<p><b>L</b> FULL OVERLAY HINGE</p>  <p>8 PCS</p>	<p><b>M</b> LEG</p>  <p>5 PCS</p>	<p><b>N</b> LEG</p>  <p>4 PCS</p>	<p><b>O</b> LEG</p>  <p>8 PCS</p>



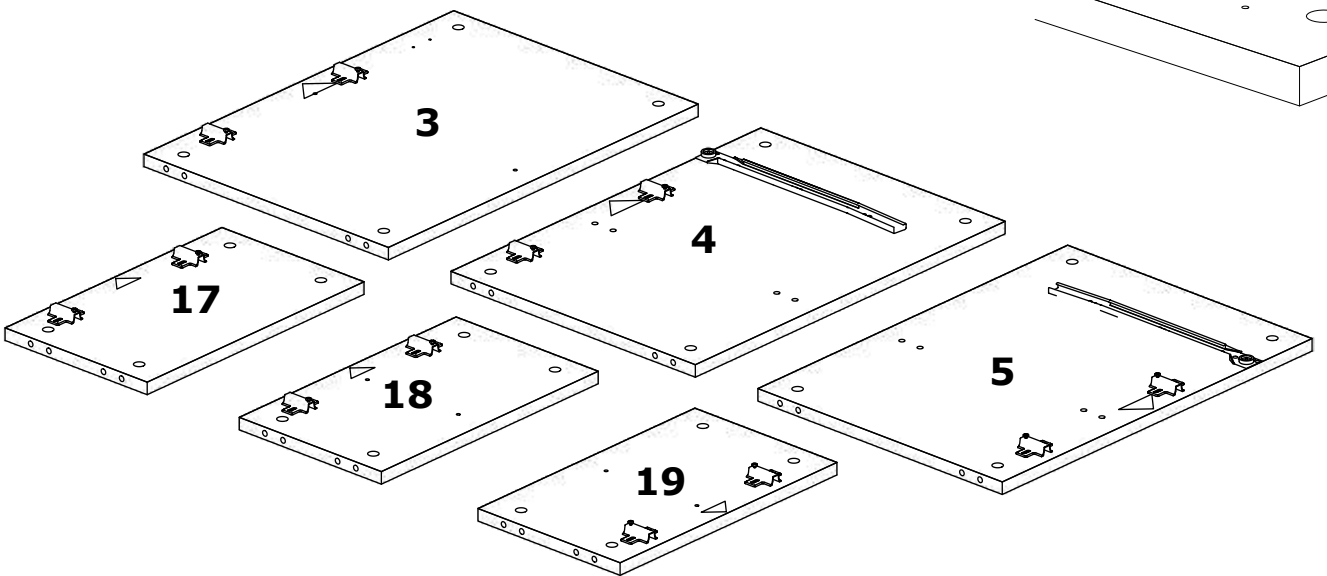
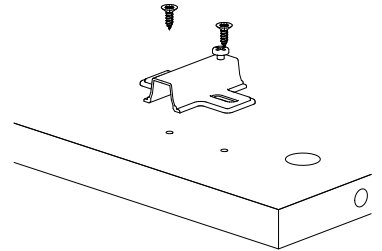
**1.**



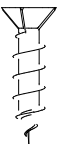
**J**



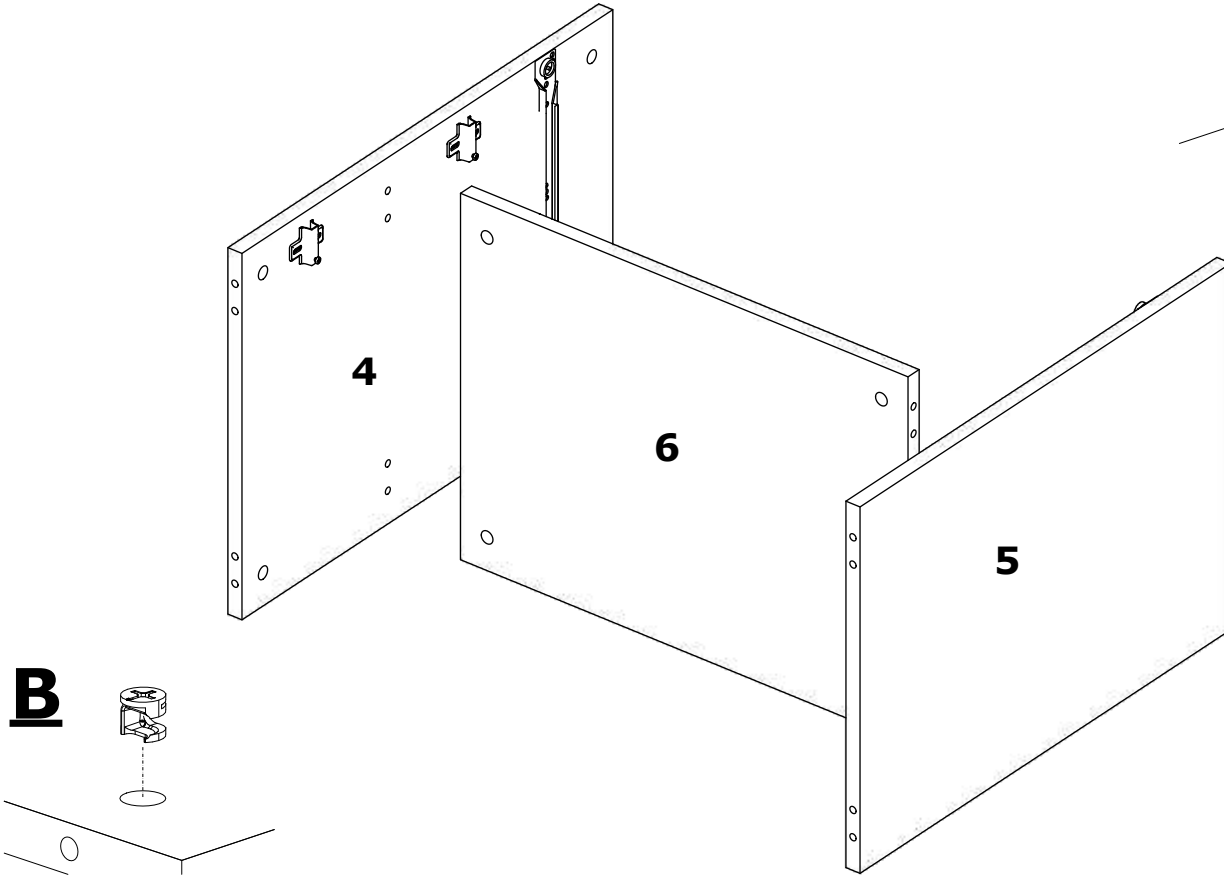
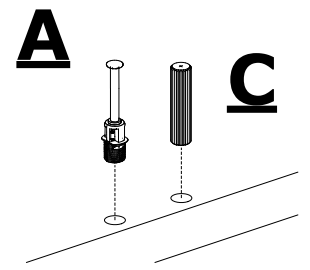
**2.**



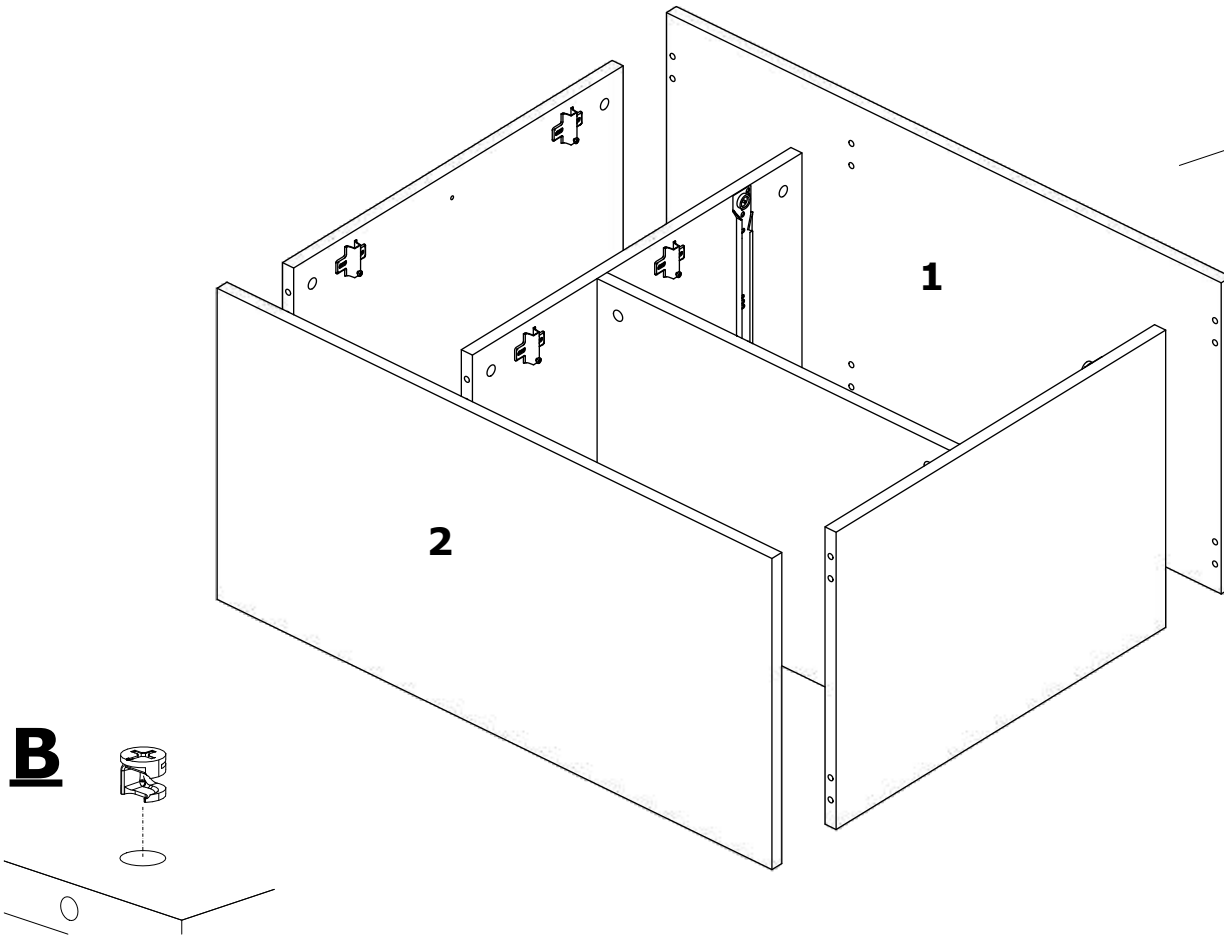
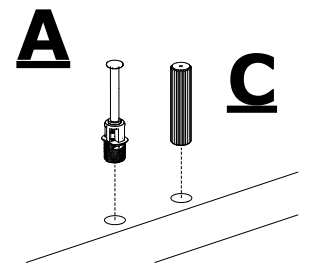
**J**



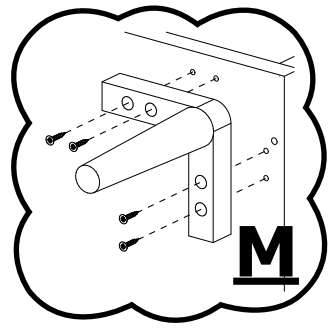
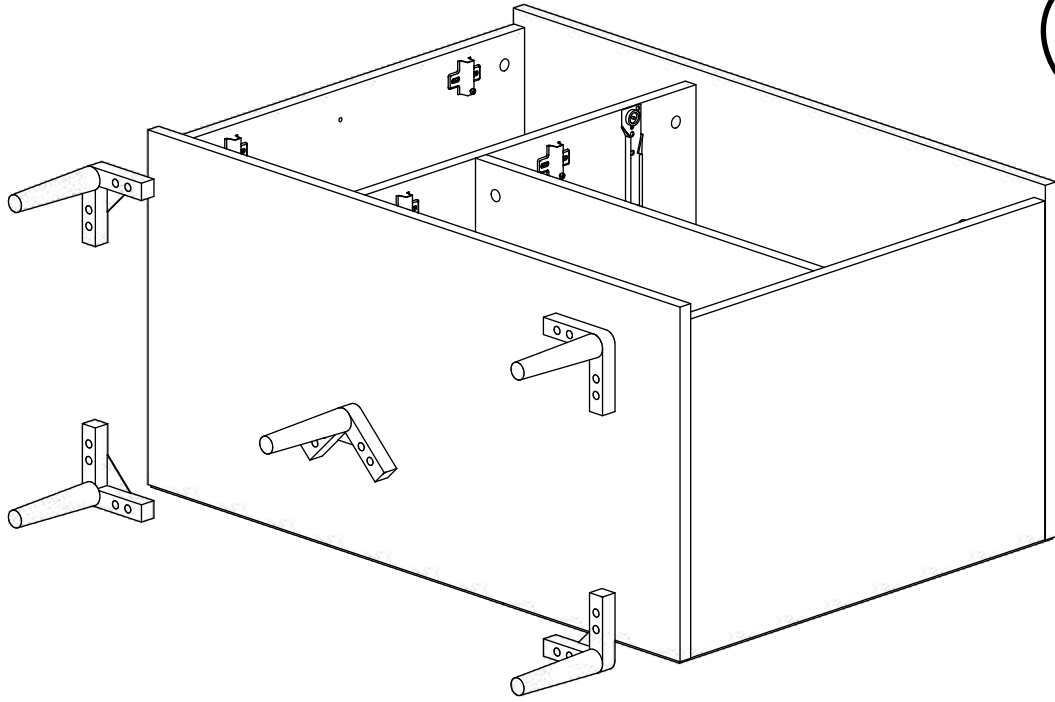
**3.**



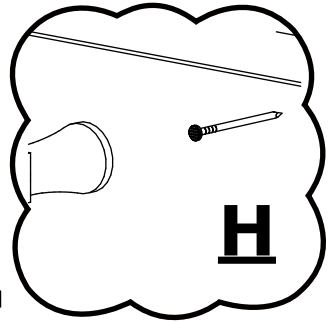
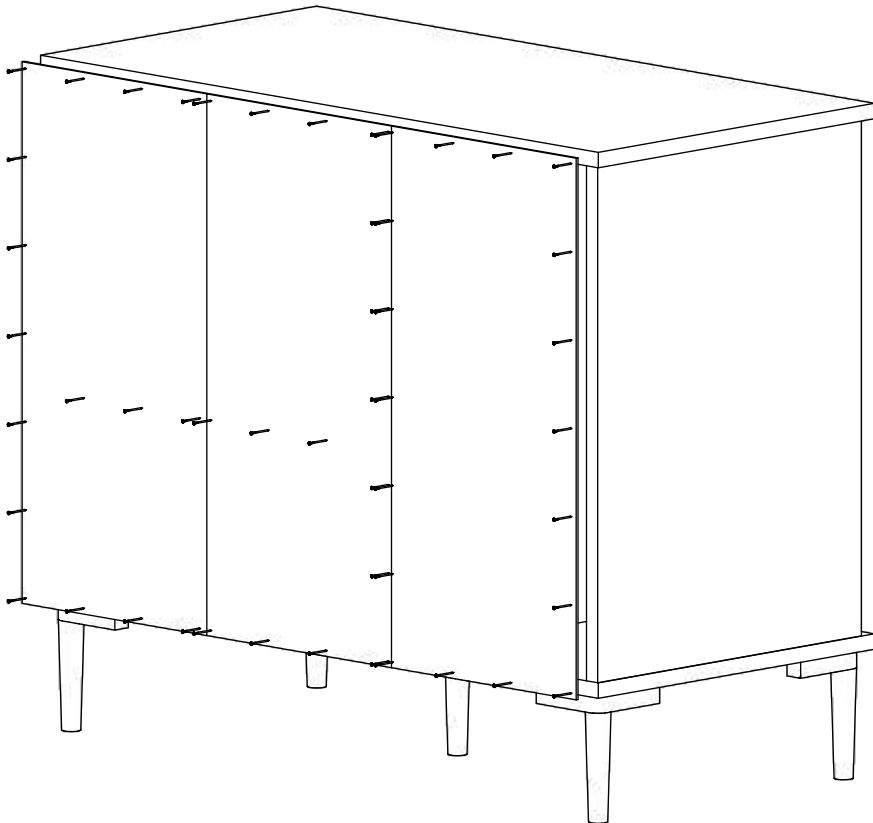
**4.**



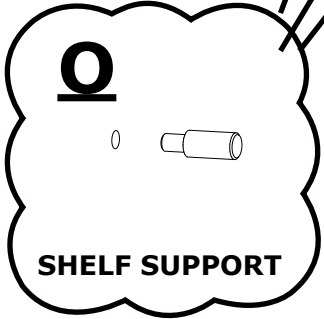
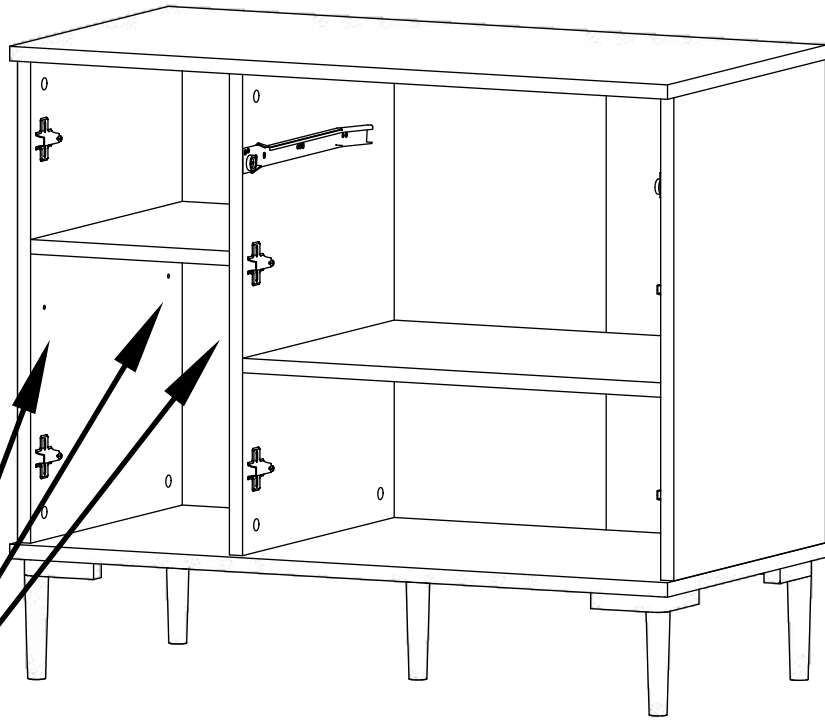
5.



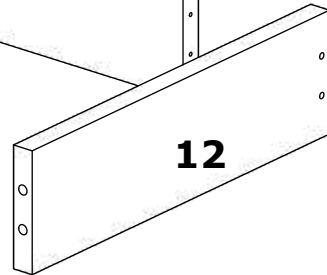
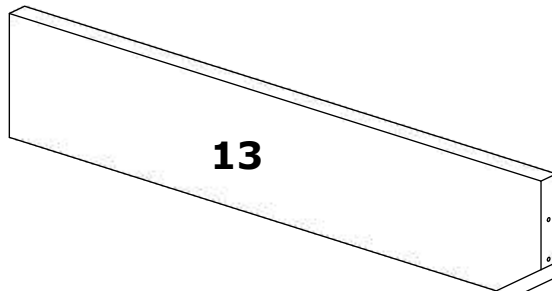
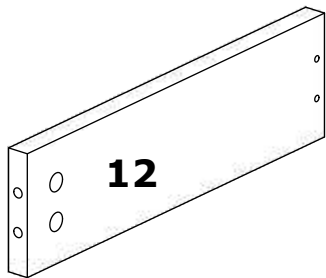
6.



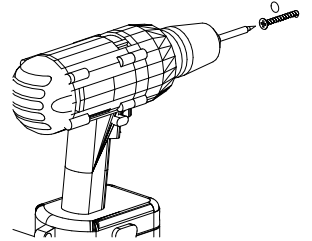
**7.**



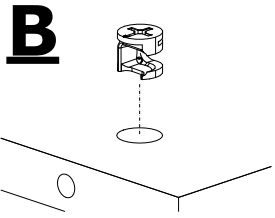
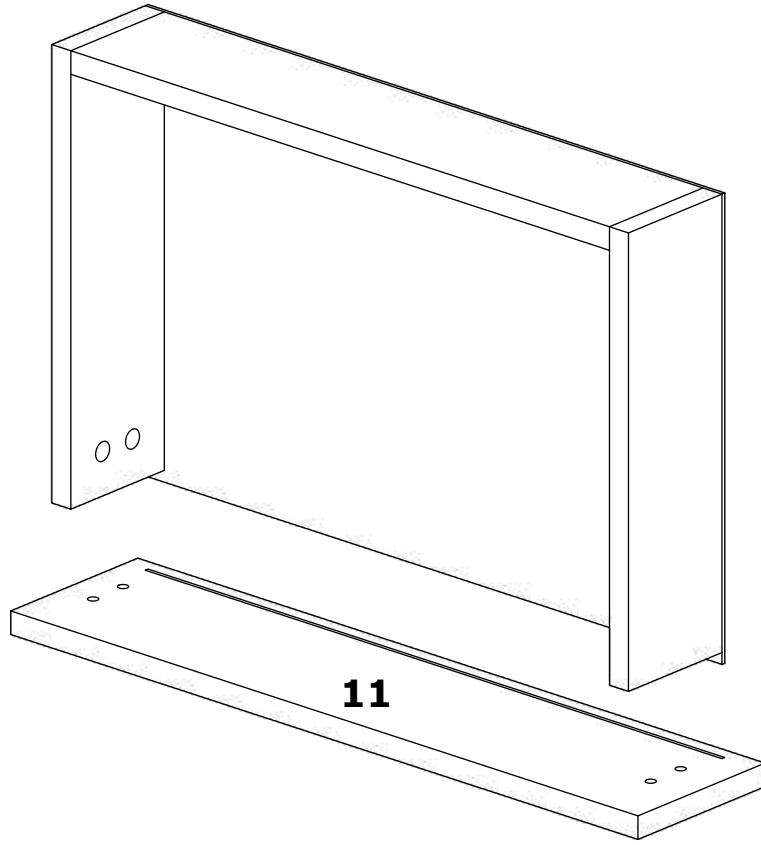
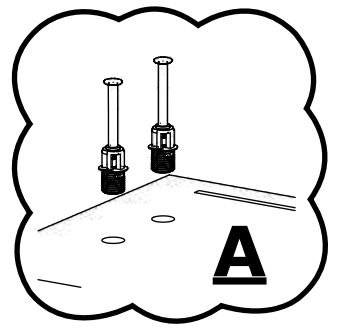
**8.**



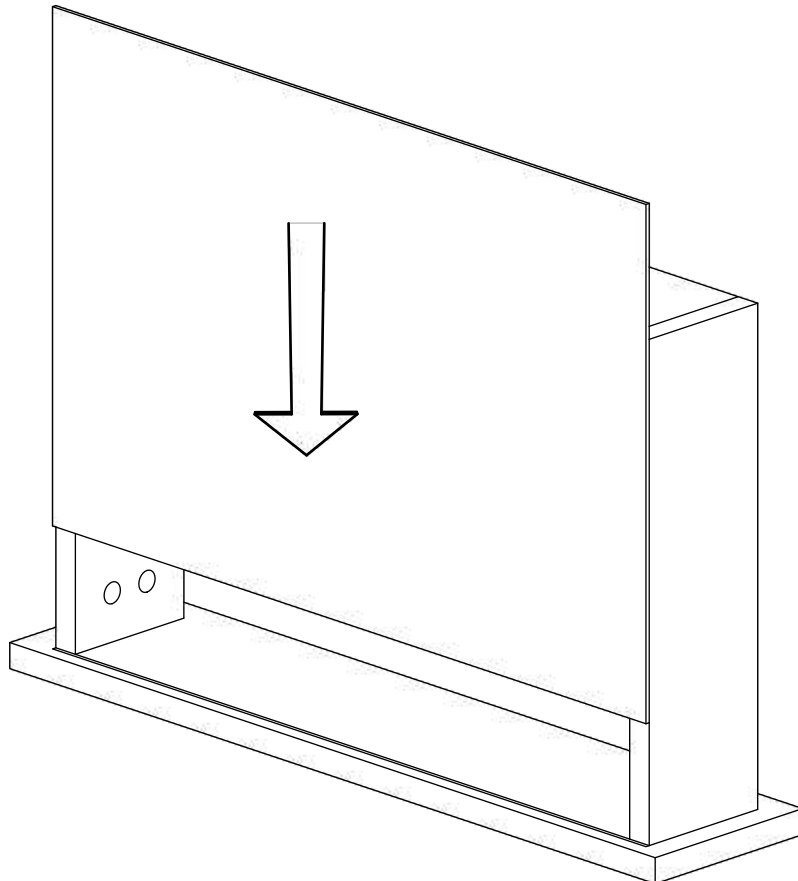
**D**



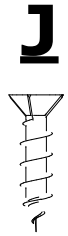
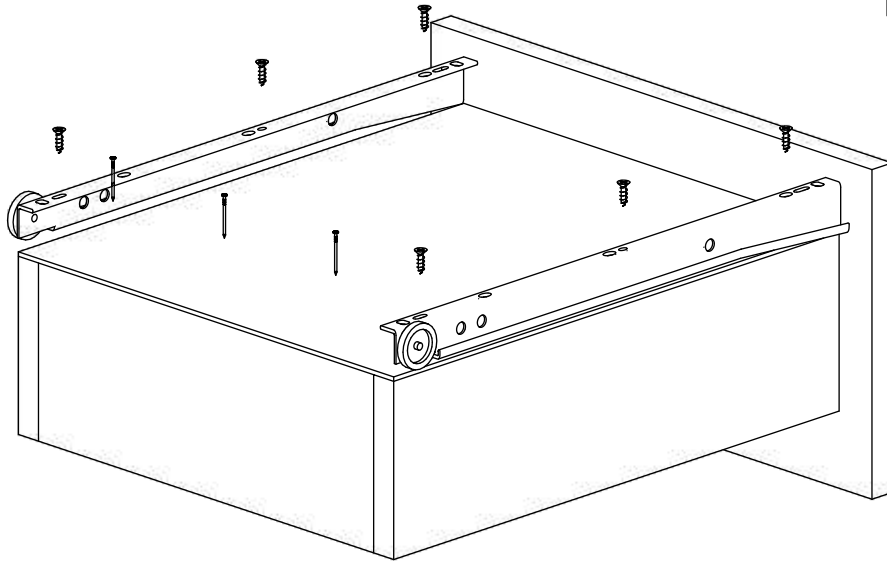
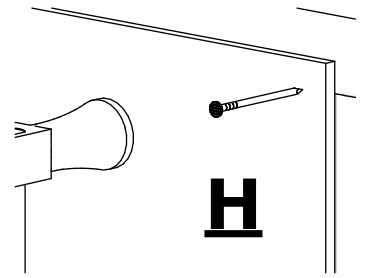
**9.**



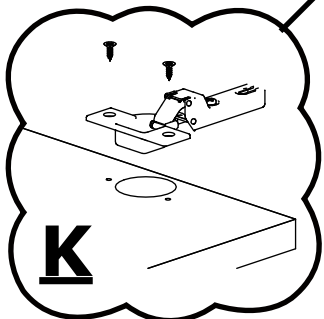
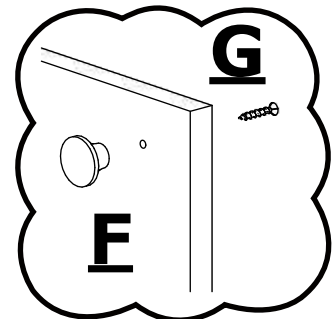
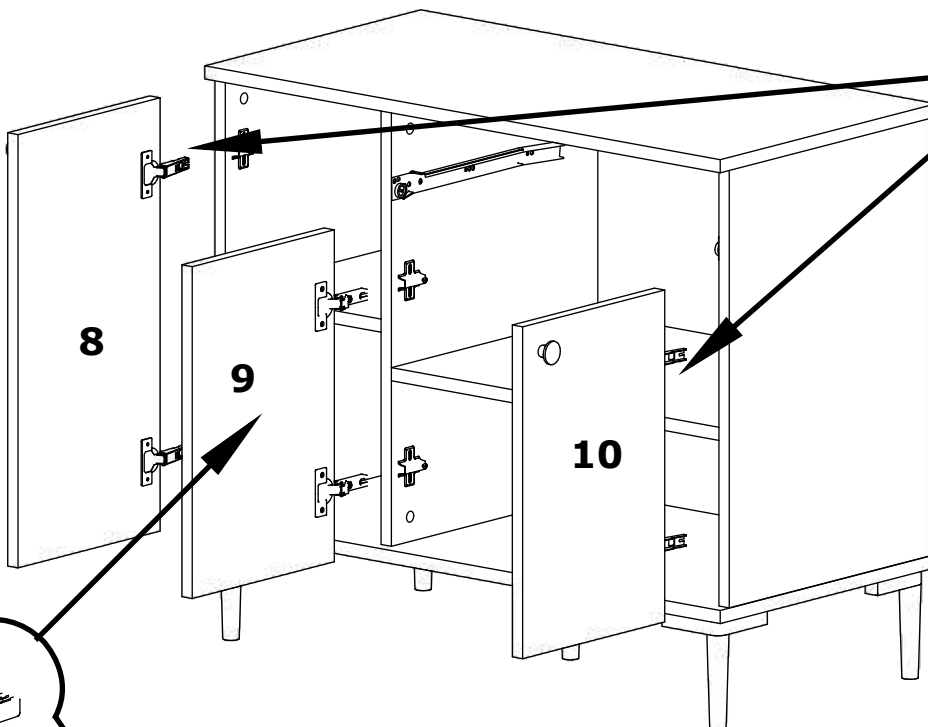
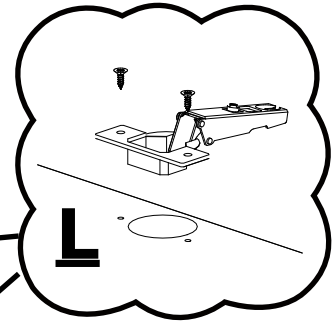
**10.**



**11.**



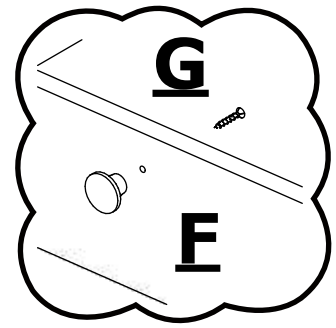
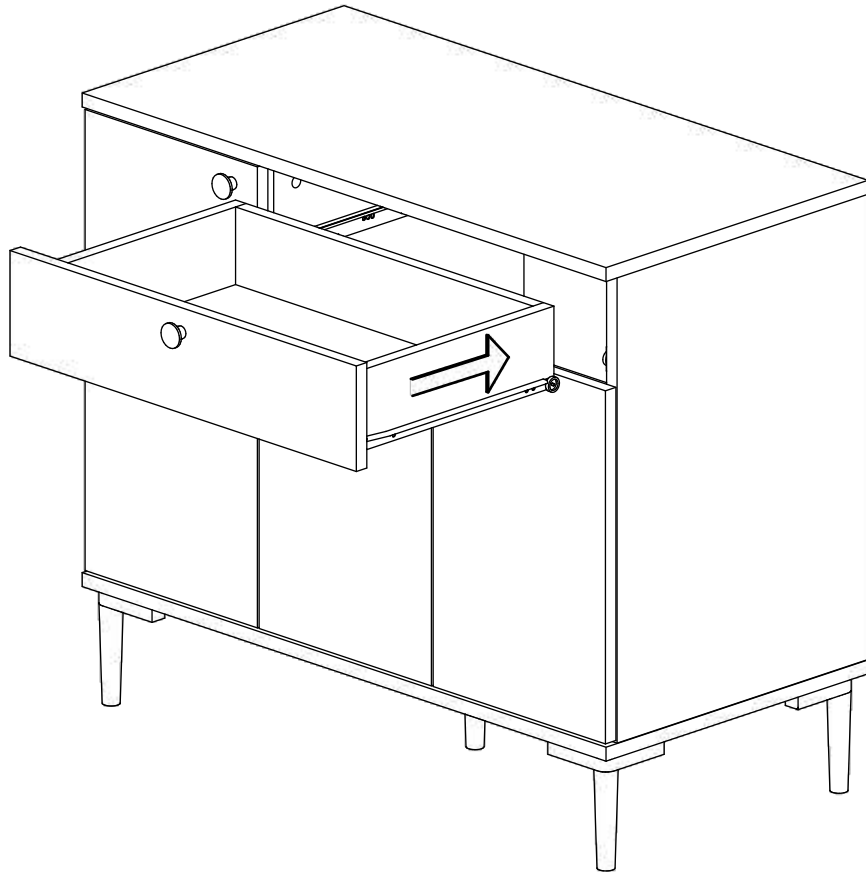
**12.**



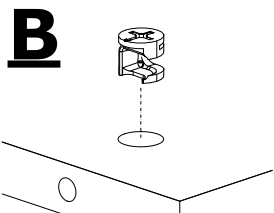
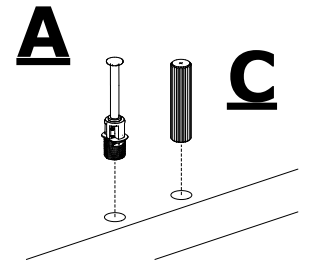
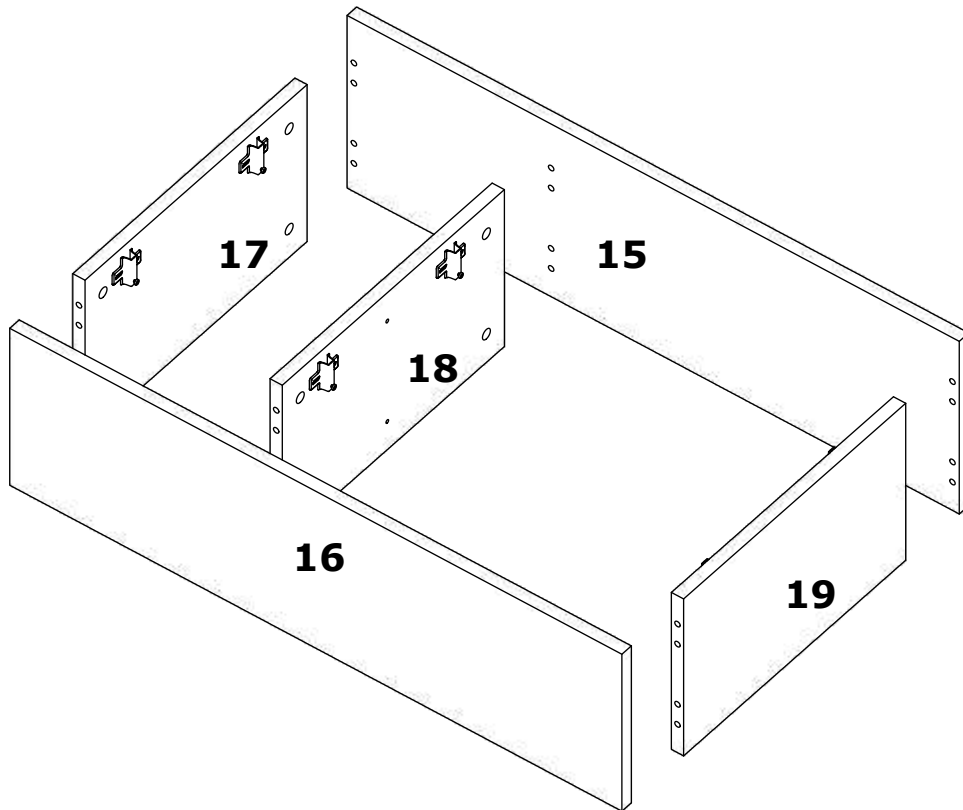
**K**

**E**

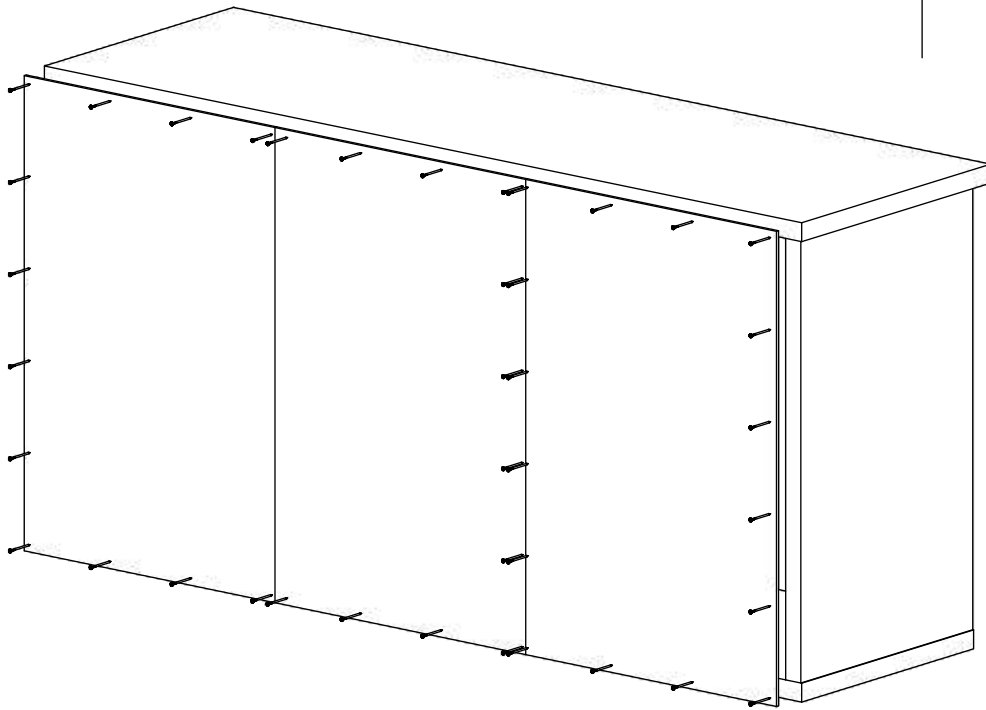
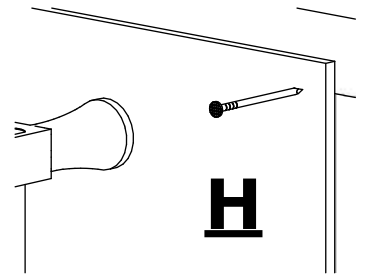
**13.**



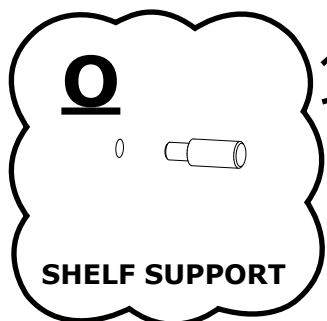
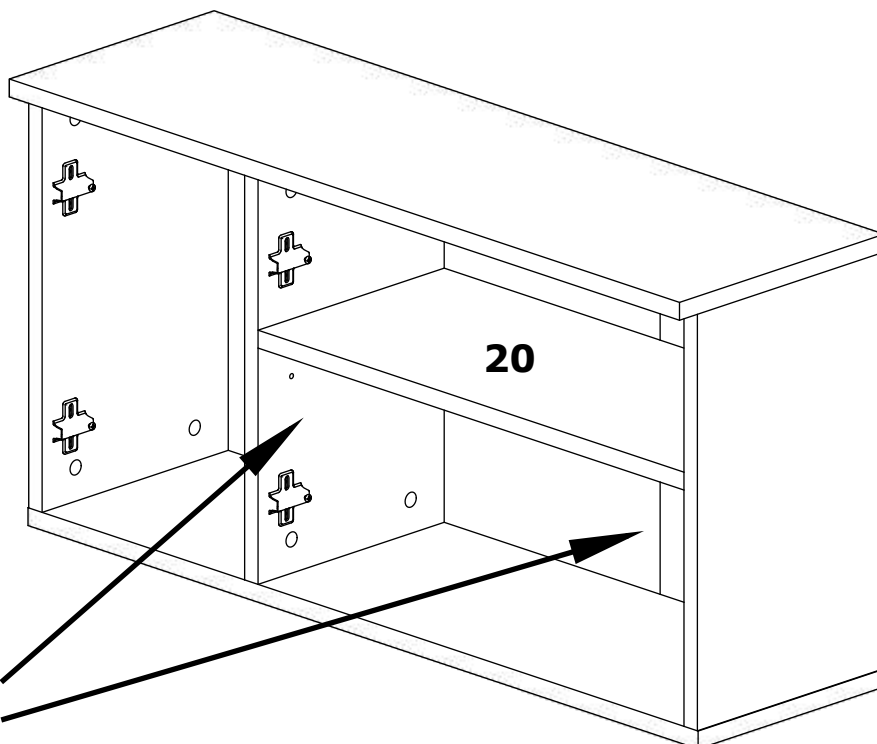
**14.**



**15.**

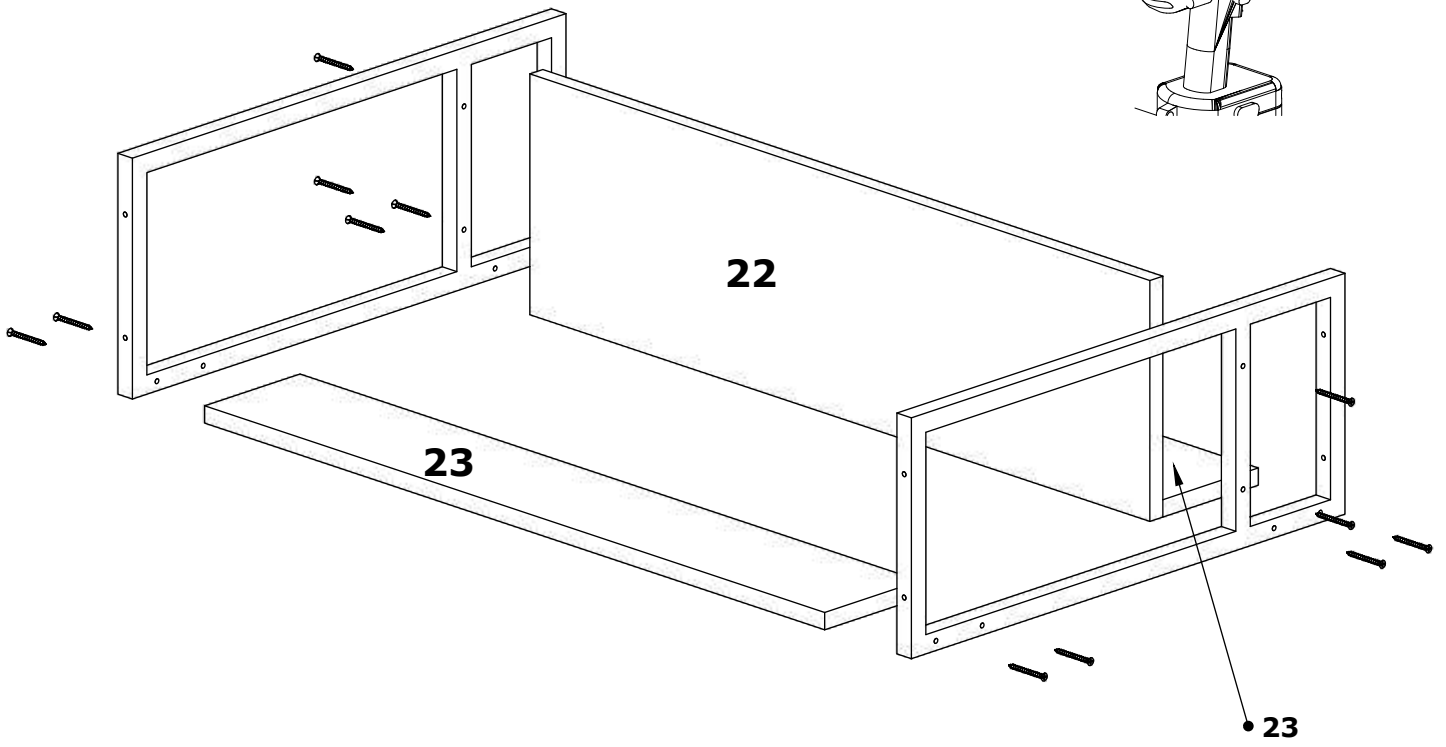


**16.**



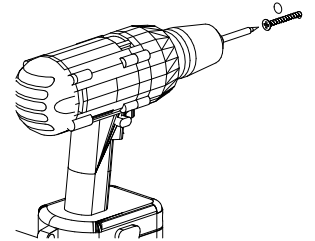
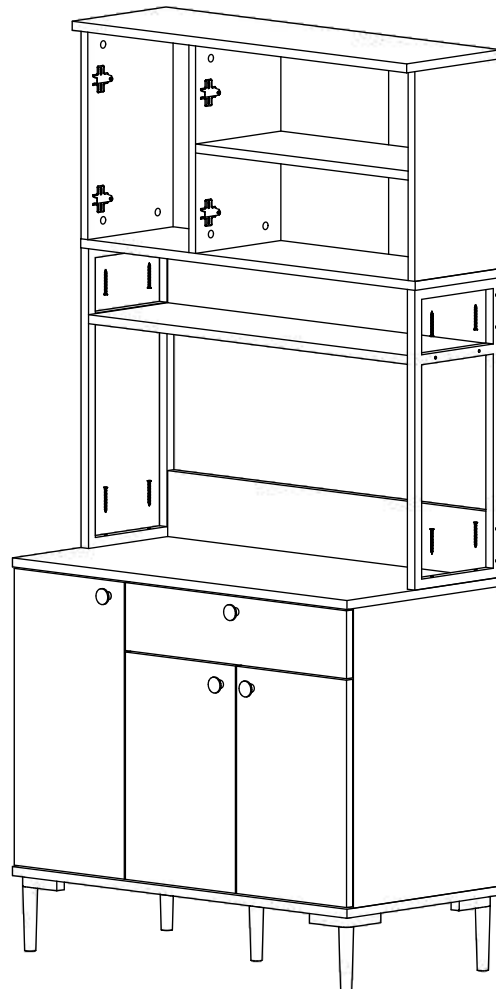
17.

**D**

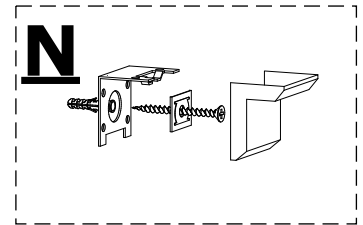
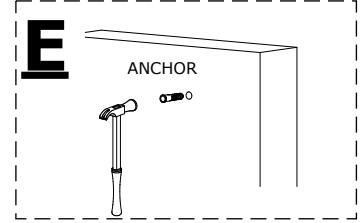
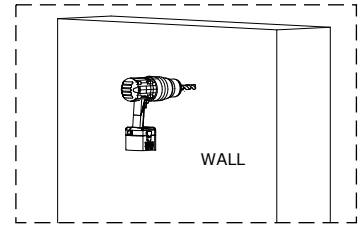
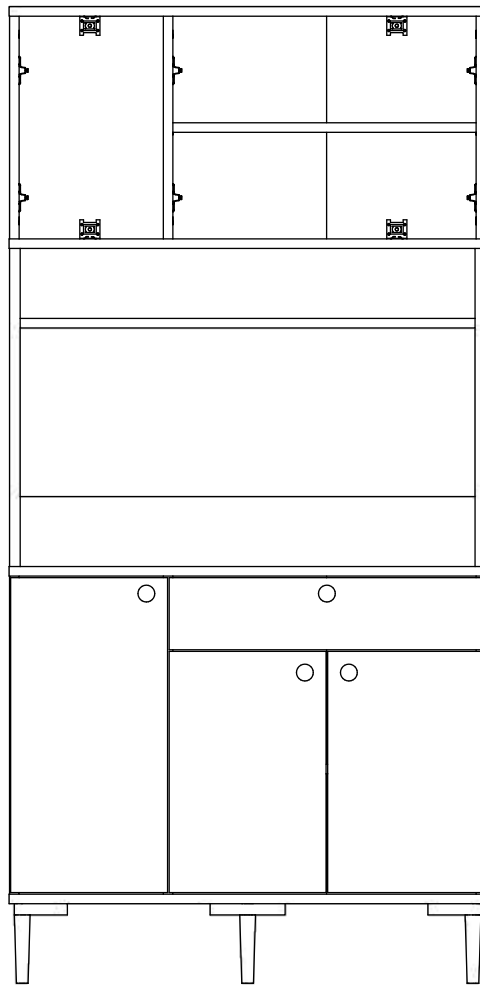


18.

**D**



19.



20.

